

**YOUR BEST CHOICE**

**FOR OEM/ODM**

**DO MY BEST FOR YOU!**

GOOD PRODUCTS MAKE YOUR WORK EASY  
AND REASSURING



Sanding   Mixing   Polishing   Grinding  
Cutting   Painting   Heating   Gardening  
Tools and more ...



**ZHEJIANG BURLEY TOOLS CO., LTD.**

South-eastern Industrial Zone, Shuxi Street,

Wuyi County, Zhejiang, 321200, P.R.China

Tel: +86-579-87869210

Fax: +86-579-87869168

Http://www.burleytools.com

E-mail: burley@burleytools.com



**20  
23**

**PRODUCT CATALOGUE**



# 15+ YEARS

BURLEY Tools, has been manufacturing power tools for more than 15 years in China.



## LEADER

We are now a leading power tool supply source in China.

## EXPORTING

With experience of exporting to EU, America, Australia, Middle East and Southeast Asia with DIY, semiprofessional, professional products.

**85,000+  
m<sup>2</sup>**  
PRODUCTION BASE

With 70,000 square meters production base, we specialize in electric mixers, drywall sanders, electric polishers, heat guns, impact drills and more.

**20+  
ASSEMBLY LINES**

Our manufacturing facilities are currently equipped with more than 20 assembly lines.

**133+  
PATENT AWARDED**

We owned more than 133 patents for our own products

**50+  
R&D**

A team of more than 50 R&D professional illustrates our commitment to further research and develop.



Various certifications and standards such as GS, CE, EMC, various EU standards and ETL for North American standards are available.

## CONTENTS

### ▶ RENOVATION WALL & PAINTING

- Drywall Sander
- Drywall Screwdriver
- Electric Mixer
- Caulking Gun
- Paint Sprayer

### ▶ GENERAL POWER TOOLS

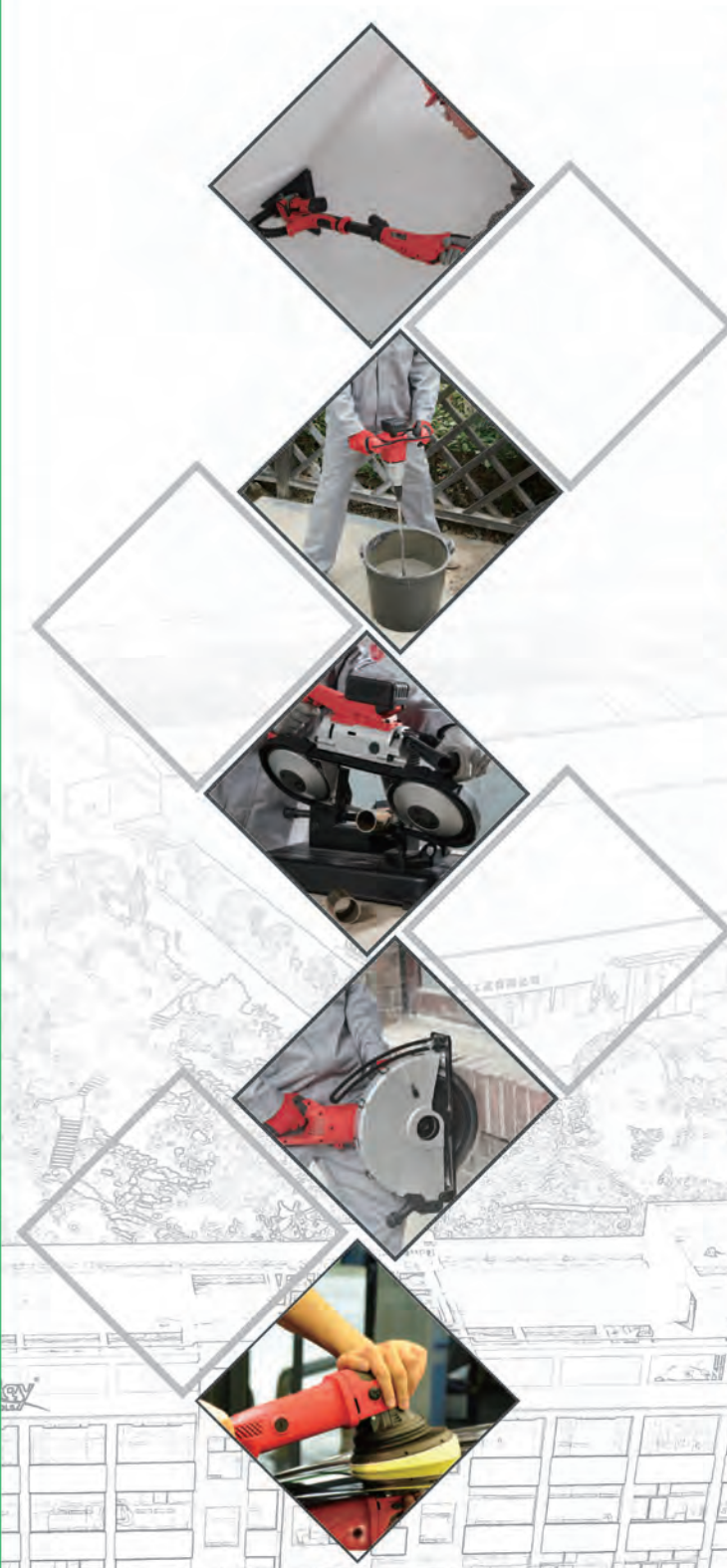
- Drywall Screwdriver
- Impact Drill
- Cutting machine
- Angle Grinder
- Multi Tools
- Plastic Welding
- Grease Gun
- Cordless Rivet Gun

### ▶ AUTOMOTIVE

- Polisher
- Heat Gun

### ▶ GARDEN TOOLS

- Cordless String Trimmer
- Hedge Trimmer
- Cordless Blower



# Drywall Sander

Dustless. Ergonomic. Powerful.



**R7235**

**DRYWALL SANDER**

### FEATURES

- Speed can be adjusted easily from 1500-2300rpm.
- Soft grip provides comfortable operation.
- Externally accessible brushes for greater serviceability and longer motor life.
- Variable vacuum power for different wall conditions and for comfortable use.



Self-suction power  
no need vacuum cleaner



### SPECIFICATIONS

	230-240V / 110-120V~ 50-60Hz
	1050W/1220W
	1500-2300rpm
	225mm
	215mm
	67×34×27.5cm/2pcs(colour box)
	8.5/9.5kgs(colour box)
	900/1870/2194pcs(colour box)

### ACCESSORIES

- Dust bag • Strap • Side handle  
Hose 2m • Wrench Φ5  
Sand paper set(150# 180# 240# 400# each 2pcs)



# R7239

# DRYWALL SANDER

### FEATURES

- Speed can be adjusted easily from 1500-2300rpm.
- Reversible auxiliary handle perfect for both left-handed and right-handed users.
- Externally accessible brushes for greater serviceability and longer motor life.
- Variable vacuum power for different wall conditions and for comfortable use.



Self-suction power  
no need vacuum cleaner



### ACCESSORIES

Dust bag • Strap • Side handle  
Hose 2m • Wrench Ø5  
Sand paper set(150# 180# 240# 400# each 2pcs)



### SPECIFICATIONS

	230-240V / 110-120V~ 50-60Hz
	1050W/1220W
	1500-2300rpm
	225mm
	215mm
	67×34×27.5cm/2pcs(colour box)
	8.5/9.5kgs(colour box)
	900/1870/2194pcs(colour box)

## PROFESSIONAL POWER TOOLS



### R7240

DRYWALL SANDER



Self-suction power  
no need vacuum cleaner

### R7241-W

DRYWALL SANDER

### R7241

DRYWALL SANDER



### FEATURES

- The segment can be detached easily to sand along edges and in awkward positions.
- Externally accessible brushes for greater serviceability and longer motor life.
- Speed can be adjusted easily from 1500-2700rpm.
- Soft grip provides comfortable operation.

### FEATURES

- 10W LED lights surrounding the pad with 3cm distance to the working surface to lighten the cupped and raised spots on the wall.
- Externally accessible brushes for greater serviceability and longer motor life.

### FEATURES

- The segment can be detached easily to sand along edges and in awkward positions.
- Externally accessible brushes for greater serviceability and longer motor life.
- Speed can be adjusted easily from 1500-2700rpm.
- Soft grip provides comfortable operation.

### SPECIFICATIONS

	R7240	R7241	R7241-W
	230-240V / 110-120V~ 50-60Hz	230-240V / 110-120V~ 50-60Hz	230-240V / 110-120V~ 50-60Hz
	750W	750W	750W
	1500-2700rpm	1500-2700rpm	1500-2700rpm
	180mm	180mm	180mm
	175mm	175mm	175mm
	62×31.5×26cm/2pcs(colour box)	62×31.5×26cm/2pcs(colour box)	62×31.5×26cm/2pcs(colour box)
	7.6/8.6kgs(colour box)	7.6/8.6kgs(colour box)	7.6/8.6kgs(colour box)
	1102/2284/2678pcs(colour box)	1102/2284/2678pcs(colour box)	1102/2284/2678pcs(colour box)





**R7507**  
CONCRETE GRINDER



**R7502**  
CONCRETE GRINDER



Optional Pads for wall sanding, concrete scouring, rust removing, paint removing, wood texture renewing etc. multiple applications.

**FEATURES**

- 10W LED lights surrounding the pad with 3cm distance to the working surface to lighten the cupped and raised spots on the wall.
- Anti-dust function.
- Detachable cover for easy dust cleaning.

**FEATURES**

- Sanding pad can be changed with different pads to realize different applications.
- Separation with motor cooling and dust extracting.
- Ergonomic design with soft grip provides comfortable operation.

**FEATURES**

- The segment can be detached easily to sand along edges and in awkward positions.
- Externally accessible brushes for greater serviceability and longer motor life.
- Speed can be adjusted easily from 1500-2700rpm.
- Soft grip provides comfortable operation.

**SPECIFICATIONS**



	R7503	R7502	R7507
	230-240V / 110-120V~ 50-60Hz	230-240V ~ 50Hz	220-240V~50Hz
	810W	1300W	1500W
	1500-2800rpm	800-1750rpm	1000-8500rpm
	180mm	180mm	125mm
	170mm	175mm	125mm
	62×31.5×26cm/2pcs(colour box)	60×50×28.5cm/2pcs(colour box)	25×14.3×45cm/2pcs(colour box)
	7.6/8.6kgs(colour box)	11/12kgs(colour box)	11/12kgs(colour box)
	1102/2284/2678pcs(colour box)	666/1380/1618pcs(colour box)	3500/7250/8500pcs(colour box)

**BR7201**  
DRYWALL SANDER



**BR7505**  
DRYWALL SANDER



**BRUSHLESS MOTOR**



Self-suction power  
no need vacuum cleaner

**BRUSHLESS MOTOR**

**FEATURES**

- Brushless motor allows for improved running time and durability, and eliminates the need to change brushes.
- Variable-speed dial to help match speed to application.
- Lock on trigger switch allows for comfortable use over long time use.

**SPECIFICATIONS**



	BR7201	BR7505
	18V	18V
	15A	15A
	600-1200rpm	600-1200rpm
	225mm	225mm
	215mm	215mm
	115×55×25cm/2pcs(colour box)	71.5×52.5×36.8cm/2pcs(BMC)
	15/16kgs(colour box)	8/9kgs(BMC)
	360/740/868pcs(colour box)	400/800/1000pcs(colour box)

# R7232

# DRYWALL SANDER

### FEATURES

- Variable speed maintains a stable speed control system.
- The 360° pivoting head swivels in all directions and automatically adjusts to be flush against every surface that crosses its path.
- 2 options for extracting dust: internal extraction through 8 holes and external extraction through the surrounding of the sanding pad.
- Extendable, from 1.1m to 1.9m; shortest length 1.1m, fit for different working space.



### ACCESSORIES

Adapter Φ35mm, Adapter Φ47mm, Adapter Φ38mm  
 Hose 4m • Wrench Φ5  
 Sand paper set(60# 80# 120# 150# 180# 240# each 1pc)



### SPECIFICATIONS

	230-240V / 110-120V~ 50-60Hz
	600W/710W
	600-1500rpm
	225mm
	215mm
	115×55×25cm/2pcs(colour box)
	15/16.5kgs(colour box)
	360/740/868pcs(colour box)

## PROFESSIONAL POWER TOOLS



**R7233**  
DRYWALL SANDER



**R7234**  
DRYWALL SANDER



**R7234-SG**  
DRYWALL SANDER



### FEATURES

- Variable speed maintains a stable speed control system.
- Foldable design to save space for convenient and easy transportation.
- 2 options for extracting dust: internal extraction through 8 holes and external extraction through the surrounding of the sanding pad.

### FEATURES

- Variable speed maintains a stable speed control system.
- Foldable design to save space for convenient and easy transportation.
- Flexible handle provides easy maneuvering while sanding.

### FEATURES

- 10W LED lights surrounding the sanding pad gives you better view of uneven sanding surface.
- Variable speed maintains a stable speed control system.
- Foldable design to save space for convenient and easy transportation.
- Flexible handle provides easy maneuvering while sanding.

### SPECIFICATIONS

	R7233	R7234	R7234-SG
	230-240V / 110-120V~ 50-60Hz		
	600W/710W/750W	600W/710W/750W	600W/710W
	600-1500rpm/600-1700rpm(750W)	600-1500rpm/600-1700rpm(750W)	600-1500rpm
	225mm	225mm	225mm
	215mm	215mm	215mm
	70×56×25cm/2pcs(colour box)	72×48×35cm/2pcs(BMC)	
	15/16.5kgs(colour box)	19.5/21kgs(BMC)	
	570/1182/1386pcs(colour box)	470/1000/1170pcs(BMC)	





**R7236**  
DRYWALL SANDER

**R7237**  
DRYWALL SANDER

**R7237-CT**  
DRYWALL SANDER

**FEATURES**

- LED provides you visibility during insufficient lighting conditions.
- Variable speed maintains a stable speed control system.
- Extendable, from 1.1m to 1.9m; shortest length 1.1m, fit for different working space.
- Flexible handle provides easy maneuvering while sanding.

**FEATURES**

- Variable speed maintains a stable speed control system.
- Can be folded to save space for convenient and easy transportation.
- Simple and compact design result in light weight and save physical energy.

**FEATURES**

- Variable speed maintains a stable speed control system.
- Can be folded to save space for convenient and easy transportation.
- Internal changeable round pad and triangle pad.
- Features both triangular and circular hook-and-loop sanding heads with tool-free installation.

**SPECIFICATIONS**



	R7236	R7237	R7237-CT
	230-240V / 110-120V~ 50-60Hz		
	600W/710W	600W/710W	600W/710W
	600-1500rpm	600-1500rpm	600-1500rpm
	225mm	225mm	225mm
	215mm	215mm	215mm
	115×55×25cm/2pcs(colour box)	70×56×25cm/2pcs(colour box) 72×48×35cm/2pcs(BMC)	
	15/16.5kgs(colour box)	13.5/15kgs(colour box) 20/22kgs(BMC)	
	360/740/868pcs(colour box)	570/1182/1386pcs(colour box) 470/1000/1170pcs(BMC)	



**R7245**  
DRYWALL SANDER

**R7249**  
DRYWALL SANDER

**R7258**  
DRYWALL SANDER

**FEATURES**

- Quick release and lock up function for speedy extension assembly.
- Brush segment can be detached easily to sand along edges and in awkward positions.
- Externally accessible brushes for greater serviceability and longer motor life.

**FEATURES**

- Telescopic body can be extended from 135cm to 190cm, fit for different working space.
- Unique design to save space for convenient and easy transportation.

**FEATURES**

- Brushless system realizes stronger power, much longer life time, higher efficiency and lower noise.
- Brush segment can be detached easily to sand along edges and in awkward positions.

**SPECIFICATIONS**



	R7245	R7249	R7258
	230-240V / 110-120V~ 50-60Hz		
	600W/710W	600W/710W	550W
	600-1500rpm	600-1600rpm	300-950rpm
	225mm	225mm	225mm
	215mm	215mm	215mm
	70×56×25cm/2pcs(colour box) 73×50×36cm/2pcs(BMC)	131×56×26cm/2pcs(colour box)	115×55×25cm/2pcs(colour box)
	13.5/15kgs(colour box) 21.5/22.5kgs(BMC)	14.5/15.5kgs(colour box)	15/16.5kgs(colour box)
	570/1182/1386pcs(colour box) 430/892/1046pcs(BMC)	294/608/714pcs(colour box)	360/740/868pcs(colour box)

**FEATURES**

- Variable speed maintains a stable speed control system.
- Self - suction power no need vacuum cleaner.
- 10W LED lights surrounding the pad with 3cm distance to the working surface to lighten the cupped and raised spots on the wall.
- Externally accessible brushes for greater serviceability and longer motor life.
- Extendable, from 1.1m to 1.9m.



**R7203**  
DRYWALL SANDER



**R7203-RT**  
DRYWALL SANDER



**R7202**  
DRYWALL SANDER



**SPECIFICATIONS**

	R7203	R7203-RT	R7202
	230-240V / 110-120V~ 50-60Hz		
	820W	750W	820W
	600-1900rpm	600-1700rpm	600-1900rpm
	225mm	225mm	225mm
	215mm	215mm	215mm
	114x33.5x50cm/2pcs(colour box)	62x31.5x26cm/2pcs(colour box)	114x33.5x50cm/2pcs(colour box)
	17/18kgs(colour box)	7.6/8.6kgs(colour box)	17/18kgs(colour box)
	286/594/697pcs(colour box)	1102/2284/2678pcs(colour box)	286/594/697pcs(colour box)

**R7246**  
DRYWALL SANDER



**R7213**  
DRYWALL SANDER



**R7205**  
DRYWALL SANDER



**FEATURES**

- Self-suction power no need vacuum cleaner.
- Vertical motor to transfer the power directly ensuring longer life time.

**FEATURES**

- Vertical motor to transfer the power directly ensuring longer life time.
- Unique design to save space for convenient and easy transportation.

**FEATURES**

- Vertical motor to transfer the power directly ensuring longer life time.
- Unique design to save space for convenient and easy transportation.

**SPECIFICATIONS**

	R7246	R7213	R7205
	230-240V / 110-120V~ 50-60Hz		
	1050W	710W	750W
	600-2600rpm	800-1800rpm	800-1800rpm
	225mm	225mm	225mm
	215mm	215mm	215mm
	69x62.5x31cm/2pcs(colour box) 69.5x56x46cm/2pcs(BMC)	114x33.5x50cm/2pcs(colour box)	
	11/12kgs(colour box) 20/21kgs(BMC)	17/18kgs(colour box)	
	418/866/1016pcs(colour box) 312/646/758pcs(BMC)	286/594/697pcs(colour box)	





**R8501/R8501G**

SCREWDRIVER



**R8502**

SCREWDRIVER



**BR8503**

CORDLESS DRYWALL SCREWDRIVER



**FEATURES**

- Speed can be adjusted easily from 0-2400(0-4000)rpm.
- Soft grip provides comfortable operation.
- Forward and reverse running by pushing the button to the left or right.
- Rotate the plastic ring to adjust screw depth.

**FEATURES**

- Speed can be adjusted easily from 0-4200rpm.
- Soft grip provides comfortable operation.
- Forward and reverse running by pushing the button to the left or right.
- Rotate the plastic ring to adjust screw depth.

**FEATURES**

- Brushless motor for longer lifetime
- Delivers 0- 4200 RPM with increased torque to handle high demand fastening applications

**SPECIFICATIONS**



	R8501 / R8501G	R8502	BR8503
	230-240V / 110-120V~ 50-60Hz	220-240V/110-120V~50/60Hz	18V
	600W	520W	
	0-2400rpm,0-4000rpm	0-4200rpm	0-4200rpm
	2	1	1
	6.35mm	6.35mm	6.35mm
	52×37×34.5cm/4pcs(colour box)	52×37×34.5cm/4pcs(colour box)	52×37×34.5cm/4pcs(colour box)
	19/20kgs(colour box)	19/20kgs(colour box)	19/20kgs(colour box)
	1684/3492/4096pcs(colour box)	1684/3492/4096pcs(colour box)	1684/3492/4096pcs(colour box)

**BR8504+P1901**

CORDLESS DRYWALL SCREWDRIVER WITH BULLET



**BR8504+R1208+P1901**

CORDLESS DRYWALL SCREWDRIVER WITH LONG HANDLE



**BW2301**

CORDLESS CUTOUT TOOL



**FEATURES**

- Brushless motor for longer lifetime
- Delivers 0- 4200 RPM with increased torque to handle high demand fastening applications
- Screwdriver with bullet set allow continuous nails'function (nails from 25-57mm is available)

**FEATURES**

- With long handle for high position's nailing work easily.

**FEATURES**

- Tool-free for fast and easy bit changing without a wrench.
- Dust-sealed switch protects against dust ingestion for longer lifetime.
- Bright LED light illuminates dark work surfaces for accurate cutting.

**SPECIFICATIONS**



	BR8504+P1901	BW2301
	18V	18V
	/	/
	0-4200rpm	26000rpm
	1	1/4" , 1/8"
	6.35mm	steel 10mm cement 10mm wood 20mm
	52×37×34.5cm/4pcs(colour box)	52×37×34.5cm/4pcs(colour box)
	19/20kgs(colour box)	19/20kgs(colour box)
	1684/3492/4096pcs(colour box)	1684/3492/4096pcs(colour box)

**Electric Mixer**  
Compact. Ergonomic. Powerful.



**R6167F**  
ELECTRIC MIXER



**FEATURES**

- With a metal stand to protect the mixer from lying to the floor.
- 1/2 output shaft to connect drill chuck directly.
- External accessible brushes for convenience and longer motor life.

**R6169F**  
ELECTRIC MIXER



**FEATURES**

- Multi-direction side handle for user comfort.
- 1/2 output shaft to connect drill chuck directly.
- Adjust speed by turning the wheel on the switch.

**R6170F**  
ELECTRIC MIXER



**FEATURES**

- Multi-direction side handle for user comfort.
- 1/2 output shaft to connect drill chuck directly.
- Adjust speed by turning the wheel on the switch.

**SPECIFICATIONS**



	R6167F	R6169F	R6170F
	230-240V / 110-120V~ 50-60Hz		
	850W	1050W	1050W
	0-500rpm	0-550rpm	0-580rpm
	1	1	1
	M14x2	M14x2	M14x2
	52x37x34.5cm/4pcs(colour box)	57x31x30cm/4pcs(colour box)	57x44x35cm/4pcs(BMC)
	19/20kgs(colour box)	18/19.5kgs(colour box)	22/23.5kgs(BMC)
	1684/3492/4096pcs(colour box)	2112/4376/5128pcs(colour box)	1252/2640/3096pcs(BMC)

**FEATURES**

- Infinitely variable speed for power transmission without splashing.
- Double handle ergonomic design with softgrip, easier to operate, not easy to get tired even after long time operation.

**R6121**

ELECTRIC MIXER



**R6122**

ELECTRIC MIXER



**R6232P**

ELECTRIC MIXER



**SPECIFICATIONS**

	R6121	R6122	R6232P
	220V-240V~50/60Hz	220V-240V~50/60Hz	220V-240V~50/60Hz
	1200W	1200W	1220/1400/1600W
	0-680rpm	0-680rpm	0-800rpm 300-750rpm(1600W)
	1	1	1
	M14x2	M14x2	M14x2
	34x32x36cm/2pcs(colour box)	34x32x36cm/2pcs(colour box)	34x32x36cm/2pcs(colour box)
	8/9kgs(colour box)	8/9kgs(colour box)	8/9kgs(colour box)
	1398/2896/3394pcs(colour box)	1398/2896/3394pcs(colour box)	1398/2896/3394pcs(colour box)

**FEATURES**

- Infinitely variable speed for power transmission without splashing.
- The soft start accelerator switch smoothly adjusts the speed to the mixing situation and material, easily and safely.
- Large, rugged 2-gear unit with optimum ratios for powerful torque and correct speed for different mixing materials.

**R6202P**

ELECTRIC MIXER



**R6201P**

ELECTRIC MIXER



**SPECIFICATIONS**

	R6201P	R6202P
	230-240V / 110-120V~ 50/60Hz	230-240V / 110-120V~ 50/60Hz
	1220/1400W	1220/1400/1600W
	0-800rpm	180-460/300-750rpm
	1	2
	M14x2	M14x2
	67.5x34x26.5cm/2pcs(colour box)	50.5x40x35cm/2pcs(BMC)
	12/13.5kgs(colour box)	16/17.5kgs(BMC)
	920/1906/2236pcs(colour box)	790/1640/1922pcs(BMC)

**R6204P**  
ELECTRIC MIXER



**R6206P**  
ELECTRIC MIXER



**R6205P**  
ELECTRIC MIXER



**R6207P**  
ELECTRIC MIXER



**FEATURES**

- Infinitely variable speed for power transmission without splashing.
- Large, rugged 2-gear unit with optimum ratios for powerful torque and correct speed for different mixing materials.

**SPECIFICATIONS**



	R6204P	R6205P	R6206P	R6207P
	230-240V / 110-120V~ 50-60Hz			
	1220W/1400W			
	0-800rpm	0-480/0-800rpm	0-800rpm	0-480/0-800rpm
	1	2	1	2
	M14x2			
	67 x 34 x 21cm/ 2pcs(colour box) 50.5x40x35cm/2pcs(BMC)			
	11.5/13kgs(colour box) 15.5/17kgs(BMC)			
	1180/2442/2864pcs(colour box) 790/1640/1922pcs(BMC)			

**R6209P**  
ELECTRIC MIXER



**R6210P**  
ELECTRIC MIXER



**R6216P**  
ELECTRIC MIXER



Twin paddles with quick fix system.

**FEATURES**

- Shift the speeds with 100% accuracy by turning the speed knob after the machine is fully stopped.
- The soft start accelerator switch smoothly adjusts the speed to the mixing situation and material, easily and safely.
- Ergonomics design with soft grip provides comfortable operation.

**SPECIFICATIONS**



	R6209P	R6210P	R6216P
	230-240V / 110-120V~ 50-60Hz		
	1220W/1400W/1600W	1220W/1400W/1600W	1400W/1600W
	0-800rpm(1220/1400W) 300-750rpm(1600W)	0-480/0-800rpm(1220/1400W) 180-460/300-750rpm(1600W)	0-480/0-680rpm(1400W) 200-480/250-680rpm(1600W)
	1	2	2
	M14x2	M14x2	Hex 13
	67x36x22.5cm/2pcs(colour box) 51x40x35cm/2pcs(BMC)		57x34x44cm/2pcs(colour box)
	12/13.5kgs(colour box) 16/17.5kgs(BMC)		16.5/18.5kgs(colour box)
	1030/2134/2502pcs(colour box) 790/1640/1922pcs(BMC)		1030/2134/2502pcs(colour box)

**R6211P**

ELECTRIC MIXER



**R6212P**

ELECTRIC MIXER



**R6218P**

ELECTRIC MIXER



Twin paddles with quick fix system.

**FEATURES**

- Shift the speeds with 100% accuracy by turning the speed knob after the machine is fully stopped.
- The soft start accelerator switch smoothly adjusts the speed to the mixing situation and material, easily and safely.
- Ergonomics design with soft grip provides comfortable operation.

**SPECIFICATIONS**



	R6211P	R6212P	R6218P
	230-240V / 110-120V~ 50/60Hz		230-240V / 110-120V~ 50/60Hz
	1220W/1400W/1600W	1220W/1400W/1600W	1400W/1600W
	0-800/300-750rpm(1600W)	0-480/0-800/180-460/300-750rpm(1600W)	0-480/0-680/200-480/250-680rpm(1600W)
	1	2	2
	M14x2	M14x2	Hex13
	67×34×21cm/2pcs(colour box)	50.5×40×35cm/2pcs(BMC)	62×57×21cm/2pcs(colour box)
	12/13.5kgs(colour box)	16/17.5kgs(BMC)	16.5/18.5kgs(colour box)
	1180/2442/2864pcs(colour box)	790/1640/1922pcs(BMC)	528/1092/1282pcs(colour box)

**R6226**

ELECTRIC MIXER



**R6305**

ELECTRIC MIXER



**R6407**

ELECTRIC MIXER



**FEATURES**

- Infinitely variable speed for power transmission without splashing.
- The soft start accelerator switch smoothly adjusts the speed to the mixing situation and material, easily and safely.

**FEATURES**

- Infinitely variable speed for power transmission without splashing.
- The soft start accelerator switch smoothly adjusts the speed to the mixing situation and material, easily and safely.
- Large, rugged 2-gear unit with optimum ratios for powerful torque and correct speed for different mixing materials.

**FEATURES**

- Infinitely variable speed for power transmission without splashing.
- The soft start accelerator switch smoothly adjusts the speed to the mixing situation and material, easily and safely.
- Large, rugged 2-gear unit with optimum ratios for powerful torque and correct speed for different mixing materials.
- Twin paddles with quick fix system.

**SPECIFICATIONS**



	R6226	R6305	R6407
		230-240V / 110-120V~ 50/60Hz	
	1220W/1400W/1600W	1220W/1400W/1600W	1400W/1600W
	0-800rpm/300-750rpm	0-480/0-800rpm/180-460/300-750rpm	0-480/0-680rpm 200-480/250-680rpm
	1	2	2
	M14x2	M14x2	M14x2
	38.5×31.5×40cm/2pcs(colour box)		62×57×21/2pcs (colour box)
	12/13.5kgs(colour box)		16.5/18.5kgs(colour box)
	1166/2390/2804pcs(colour box)		528/1092/1282 pcs (colour box)

**R6219**  
ELECTRIC MIXER



**R6219S**  
ELECTRIC MIXER



**R6219ST**  
ELECTRIC MIXER



Twin paddles with quick fix system.

**FEATURES**

- Ergonomic designed handle with soft grip and closer to the user's body, reduces working fatigue-supplying extra comfort.
- Infinitely variable speed for power transmission without aplashing.
- Large, rugged 2-gear unit with optimum ratios for powerful torque and correct speed for different mixing materials.

**SPECIFICATIONS**

R6219	R6219S	R6219ST
	230-240V / 110-120V~ 50/60Hz	
	1220/1400/1600W	1220/1400W
	0-800rpm(1220/1400W) 320-800rpm(1600W)	0-500/0-750rpm(1400W) 180-480/250-650rpm(1600W)
	2	2
	M14x2	Hex13
	68x37x22cm/2pcs(colour box)	62x57x21cm/2pcs(colour box)
	15/16.5kgs(colour box)	16.5/18.5kgs(colour box)
	1010/2090/2456pcs(colour box)	528/1092/1282pcs(colour box)



**R6229**  
ELECTRIC MIXER

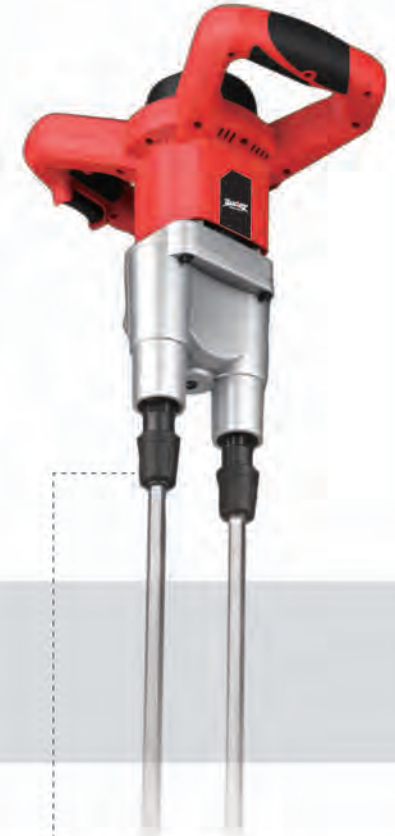


**R6310**  
ELECTRIC MIXER



Large, rugged 2-gear unit with optimum ratios for powerful torque and correct speed for different mixing materials.

**R6408**  
ELECTRIC MIXER



Twin paddles with quick fix system.

**FEATURES**

- Ergonomic designed handle with soft grip and closer to the user's body, reduces working fatigue-supplying extra comfort.
- Infinitely variable speed for power transmission without aplashing.
- LED light function when lighting is insufficient.

**SPECIFICATIONS**

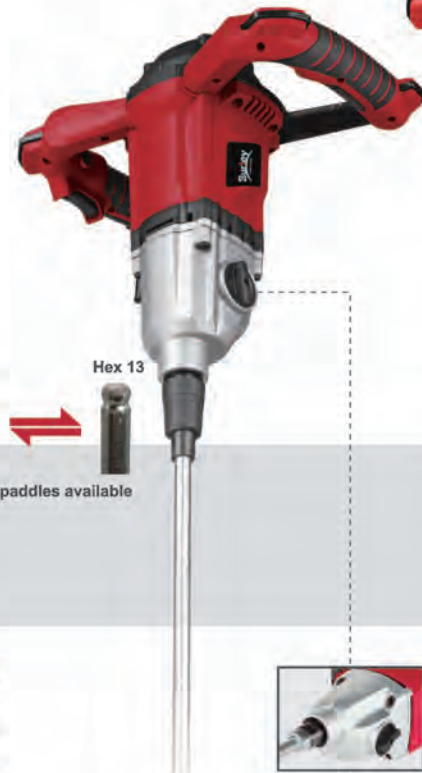
R6229	R6310	R6408
	230-240V / 110-120V~ 50/60Hz	
	1220W/1400W/1600W	1400W/1600W
	0-800rpm(1200/1400W) 300-750rpm(1600W)	0-480/0-680rpm(1400W) 180-480/250-650rpm(1600W)
	1	2
	M14x2	Hex13
	68x37x22cm/2pcs(colour box)	62x57x21cm/2pcs(colour box)
	15/16.5kgs(colour box)	16.5/18.5kgs(colour box)
	1010/2090/2456pcs(colour box)	1528/1092/1282pcs(colour box)



**R6222**  
ELECTRIC MIXER



**R6306**  
ELECTRIC MIXER



**R6406**  
ELECTRIC MIXER



**FEATURES**

- Optimun protect iron handle.
- With longer lifetime ,strong power and new indicator,it's the best choice for most professional users



Indicator light:  
Overload protection & brush changing alert.Power indicator.



Large, rugged 2-gear unit with optimum ratios for powerful tarque and correct speed for differnt mixing materials.



Twin paddles with quick fix system.



**SPECIFICATIONS**

	R6222	R6306	R6406
		230-240V / 110-120V~ 50/60Hz	
	1220/1400/1600/1800W	1220/1400/1600/1800/2000W	1400/1600/1800W
	0-800rpm(1220/1400W) 300-750rpm(1600/1800W)	0-500/0-800rpm(1220/1400W) 200-480/300-750rpm(1600/1800/2000W)	0-500/0-800rpm(1400W) 200-480/300-750rpm(1600/1800W)
	1	2	2
	M14x2	M14x2	Hex13
	41x37x44cm/2pcs(colour box)	41x39x44cm/2pcs(colour box)	64x36.5x22.5cm/1pcs(colour box)
	12/13.5kgs(colour box)	12/13.5kgs(colour box)	16.5/18.5kgs(colour box)
	823/1705/2000pcs(colour box)	800/1657/1942pcs(colour box)	528/1094/1283pcs(colour box)

**R6312CP**

**ELECTRIC MIXER**

**FEATURES**

- Applies to various viscosity materials mixing. Especially in putty, mortar, resins, and emulsion paints.
- Wide handle with ergonomics design for optimal operation control.
- Constant speed function ensures efficient continuous mixing.
- The soft start accelerator switch smoothly adjusts the speed to the mixing situation and material, easily and safely.



**ACCESSORIES**

Mixing paddle  
Wrenches: 2PCS x 22#



**SPECIFICATIONS**

	220-240V ~ 50/60Hz
	1600W
	180-480/300-750rpm
	2
	M14x2
	52x37x34.5cm/4pcs(colour box)
	19/20kgs(colour box)
	1684/3492/4096pcs(colour box)

**BR6123**

ELECTRIC MIXER



**BR6231F**

ELECTRIC MIXER



**BR6228**

ELECTRIC MIXER



**BRUSHLESS MOTOR**

**FEATURES**

- Brushless motor supply enough power and overload protection.
- Side battery pack to reduce the wear between battery and machine.

**SPECIFICATIONS**



	BR6123	BR6231F	BR6228
	18V		
	0-650rpm	0-650rpm	0-650rpm
	1	1	1
	M14x2	M14x2	M14x2
	43x31.5x28.5cm/2pcs(colour box)	41x39.5x33.5cm/2pcs(colour box)	43x31.5x28.5cm/2pcs(colour box)
	15/16.5kgs(colour box)	15/16.5kgs(colour box)	15/16.5kgs(colour box)
	1450/3000/3500pcs(colour box)	1036/2148/2518(colour box)	1450/3000/3500pcs(colour box)

**BR6307**

CORDLESS ELECTRIC MIXER



**BRUSHLESS MOTOR**

**BR6314F**

CORDLESS ELECTRIC MIXER



**BRUSHLESS MOTOR**

**BR6311F**

CORDLESS ELECTRIC MIXER



**BR6309**

CORDLESS ELECTRIC MIXER



**FEATURES**

- Optimun protect iron handle.
- Brushless motor supply enough power and overload protection.
- Large, rugged 2-gear unit with optimum ratios for powerful torque and correct speed for different materials.



Two batteries available

**SPECIFICATIONS**



	BR6307	BR6311F/BR6314F	BR6309
	18V	18V	18V
	0-450/0-720rpm	0-450/0-720rpm	0-450/0-720rpm
	2	2	2
	M14x2	M14x2	M14x2
	41.5x39.5x41cm/2pcs(colour box)	41.5x39.5x41cm/2pcs(colour box)	41.5x39.5x41cm/2pcs(colour box)
	15/16.5kgs(colour box)	15/16.5kgs(colour box)	17/18kgs(colour box)
	1036/2148/2518(colour box)	1036/2148/2518(colour box)	417/865/1014(colour box)



## BR3002 CORDLESS CAULKING GUN



### SPECIFICATIONS

	18V
	30-480mm/min
	300ml
	48x38x30cm/5pcs(colour box)
	16.5/18.5kgs(colour box)
	2545/5270/6180pcs(colour box)

### FEATURES

- Comes with a 360 degree cartridge holder that max fits 300ml cartridges.
- Auto-reverse feature helps reduce drips,waste and clean-up.
- LED light for working in even a dark place.



## RS6003 MIXER STAND

### FEATURES

- Foldable
- Retractable

### SPECIFICATIONS

	1.1m
	0.7m
	1.05mx0.3mx0.2m
	1.6m
	1.4mx1.2mx1.1m
	106.7x28.2x20.3cm/1pcs(colour box)
	16.5/18.5kgs(colour box)
	459/950/1114pcs(colour box)



## R011 Most Popular

### Mixing PADDLES



**M14 MALE THREAD** for direct and strong hand mixer connection. Reliable concentricity prevents thread corrosion.

**POWDER PAINTED** for smooth surfaces and extra, representing professional quality.

**DIVIDING THE PADDLE** to be 2 PIECES to save space in transportation and cost.

**STRONG WELDED JOINTS** for strength, safety and long life.

**CONTINUOUS GUARD RING** protects the shaft and guarantees smooth and safe rotation.

Item No.	Pic.	Applications	Mixing Direction	Total Length	Dis. Of Bottom Ring	Shaft In the Middle	Recommended Tool
R001		For dries and sticky materials, e.g. cement, plaster, tile adhesives, mortars etc.	→	600mm	130mm 140mm 150mm	M14	
R002		For liquid materials, e.g. paint, liquid primer, paste, thin mortars etc.	←	350mm 400mm 600mm	50mm 80mm 120mm	Hex shaft 8 & 10	
R003		For liquid and fibrous materials, e.g. plaster, gypsum, vermic etc.	←	600mm	120mm 140mm 160mm	M14	
R004		For dry mixtures and sticky materials, e.g. cement, plaster, mortars etc.	→	600mm	120mm 140mm 160mm	M14	
R005		For dries and sticky materials, e.g. cement, plaster, tile adhesives, mortars etc.	→	600mm	120mm	M14	
R006		For paint, varnish, resin, surfacing materials etc.	→	600mm	100mm	M14	
R007		For multi material, resin, surfacing materials etc.	→	500mm	80mm	Hex shafts	

## R015 Best Selling



**M14 MALE THREAD** for direct and strong hand mixer connection. Reliable concentricity prevents thread corrosion.

**POWDER PAINTED** for smooth surfaces and extra, representing professional quality.

**DIVIDING THE PADDLE** to be 2 PIECES to save space in transportation and cost for mortars.

**STRONG WELDED JOINTS** for strength, safety and long life.

**CONTINUOUS GUARD RING** protects the shaft and guarantees smooth and safe rotation.

Item No.	Pic.	Applications	Mixing Direction	Total Length	Dis. Of Bottom Ring	Shaft In the Middle	Recommended Tool
R008		For liquid and fibrous materials, e.g. plaster, gypsum, vermic etc.	←	550mm	120mm	Hex shaft 13	
R009		For floor tiles, cement, brick plaster etc.	→	600mm	80mm	Hex shaft 10	
R010		For the adhesives, cement with sand particles, mortars, plasters etc.	←	600mm	120mm 140mm 160mm	M14	
R011		For the adhesives, cement with sand particles, mortars, plasters etc.	→	600mm	120mm 140mm 160mm	M14	
R012		For dries and sticky materials, e.g. cement, plaster, tile adhesives, mortars etc.	→	400mm 400mm 600mm	70mm 80mm 100mm	Hex shafts 8 10	
R013		Mixing paddle for small volume of liquid materials, e.g. paint, liquid primer, etc.	→	380mm	60mm	Round shafts	
R014		Mixing paddle for small volume of liquid materials, e.g. paint, liquid primer, etc.	→	400mm	80mm	Hex shafts	
R015		For dries and sticky materials, e.g. cement, plaster, tile adhesives, mortars etc.	→	600mm	120mm 140mm 160mm	M14	

**R9302**  
PAINT SPRAYER



**FEATURES**

- Light weight durable spray gun with built in filter for easy flushing and cleaning.
- Carry handle and folding stand for convenient transportation and storage.
- Airless spray system for medium scale painting projects.

**ACCESSORIES**

High pressure airless • sprayer with 517 nozzle  
Extension tube • 7.5m high pressure painting pipe  
• Oil can • Wrench



**SPECIFICATIONS**

	R9302	R9221
	230V~ 50Hz	230V~ 50Hz
	1300W	1200W
	≤25000r/min	≤28000r/min
	1.17L/min	1.6L±10%min
	20.7Mpa	20±5%Mpa
	36.5×33×47cm/1pcs(colour box)	36.5×33×47cm/1pcs(colour box)
	7/8(colour box)	7/8(colour box)
	930/1927/2260pcs(colour box)	930/1927/2260pcs(colour box)

**R9221**  
PAINT SPRAYER



**FEATURES**

- Light weight durable spray gun with built in filter for easy flushing and cleaning.
- Carry handle and folding stand for convenient transportation and storage.
- Airless spray system for medium scale painting projects.

**ACCESSORIES**

High pressure airless • sprayer with 517 nozzle  
7.5m high pressure painting pipe • Wrench

**R9303**  
PAINT SPRAYER



**FEATURES**

- Easy control, digital display shows working pressure.
- Smart control system to keep constant spray amplitude under different pressure.
- The design with large fluid channel, which allow to spray more high viscosity coatings.
- The fully enclosed design keeps the internal components of the motor away from stains or dust, to keep a longer motor life.

**ACCESSORIES**

High pressure airless • sprayer with 517 nozzle  
Extension tube • 15m black pipe • Oil can • Wrench



**SPECIFICATIONS**

	R9303	R9304
	230V~ 50Hz	230V~ 50Hz
	850W	1300W
	≤4500r/min	≤4500r/min
	2.1L/min	2.3L/min
	22.6Mpa	22.6Mpa
	47×45.5×52.5cm/1pcs(colour box)	36.5×33×47cm/1pcs(colour box)
	21/22kgs(colour box)	7/8(colour box)
	350/725/850pcs(colour box)	930/1927/2260pcs(colour box)

**R9304**  
PAINT SPRAYER



**FEATURES**

- BRUSHLESS DC motor, high-torque, long-lifetime, warranted motor with no brushes to replace delivers more horsepower per amp.
- The design with large fluid channel, which allow to spray more high viscosity coatings.
- Suction valve can be easily removed with a hammer for easy cleaning and stain removal.

**ACCESSORIES**

1pc High pressure airless sprayer (with 519 nozzle)  
1pc bag • 2pcs wrenches • 1pc screwdriver  
1pc extension bar  
1pc 15m high pressure painting pipe

# Impact Drill

Compact. Ergonomic. Powerful.



**R8501/R8501G**

SCREWDRIVER



**R8502**

SCREWDRIVER



**BR8503**

CORDLESS  
DRYWALL SCREWDRIVER



**FEATURES**

- Speed can be adjusted easily from 0-2400(0-4000)rpm.
- Soft grip provides comfortable operation.
- Forward and reverse running by pushing the button to the left or right.
- Rotate the plastic ring to adjust screw depth.

**FEATURES**

- Speed can be adjusted easily from 0-4200rpm.
- Soft grip provides comfortable operation.
- Forward and reverse running by pushing the button to the left or right.
- Rotate the plastic ring to adjust screw depth.

**FEATURES**

- Brushless motor for longer lifetime
- Delivers 0- 4200 RPM with increased torque to handle high demand fastening applications

**SPECIFICATIONS**



	R8501 / R8501G	R8502	BR8503
	230-240V / 110-120V~ 50-60Hz	220-240V/110-120V~50/60Hz	18V
	600W	520W	
	0-2400rpm,0-4000rpm	0-4200rpm	0-4200rpm
	2	1	1
	6.35mm	6.35mm	6.35mm
	52×37×34.5cm/4pcs(colour box)	52×37×34.5cm/4pcs(colour box)	52×37×34.5cm/4pcs(colour box)
	19/20kgs(colour box)	19/20kgs(colour box)	19/20kgs(colour box)
	1684/3492/4096pcs(colour box)	1684/3492/4096pcs(colour box)	1684/3492/4096pcs(colour box)

**BR8504+P1901**

CORDLESS DRYWALL SCREWDRIVER WITH BULLET



**BR8504+R1208+P1901**

CORDLESS DRYWALL SCREWDRIVER WITH LONG HANDLE



**BW2301**

CORDLESS CUTOUT TOOL



**FEATURES**

- Brushless motor for longer lifetime
- Delivers 0-4200 RPM with increased torque to handle high demand fastening applications
- Screwdriver with bullet set allow continuous nails'function (nails from 25-57mm is available)

**FEATURES**

- With long handle for high position's nailing work easily.

**FEATURES**

- Tool-free for fast and easy bit changing without a wrench.
- Dust-sealed switch protects against dust ingestion for longer lifetime.
- Bright LED light illuminates dark work surfaces for accurate cutting.



**SPECIFICATIONS**

	BR8504+P1901	BW2301
	18V	18V
	/	/
	0-4200rpm	26000rpm
	1	1/4", 1/8"
	6.35mm	steel 10mm cement 10mm wood 20mm
	52x37x34.5cm/4pcs(colour box)	52x37x34.5cm/4pcs(colour box)
	19/20kgs(colour box)	19/20kgs(colour box)
	1684/3492/4096pcs(colour box)	1684/3492/4096pcs(colour box)

**R8600**

IMPACT DRILL



**R8602**

IMPACT DRILL



**R8601**

IMPACT DRILL



**FEATURES**

- Forward and reverse running by pushing the button to the left or right.
- Variable speed to suit different requirements in different applications.
- Drill and hammer function by turning the wheel.

**FEATURES**

- Forward and reverse running by pushing the button to the left or right.
- Variable speed to suit different requirements in different applications.
- Drill and hammer function by turning the wheel.

**FEATURES**

- Forward and reverse running by pushing the button to the left or right.
- Variable speed to suit different requirements in different applications.
- Drill and hammer function by turning the wheel.



**SPECIFICATIONS**

	R8600	R8601	R8602
	230-240V / 110-120V~ 50/60Hz	230-240V / 110-120V~ 50/60Hz	230-240V / 110-120V~ 50/60Hz
	550W	650W	750W
	0-3000r/min	0-3000rpm	0-3000rpm
	1	1	1
	steel 13mm cement 13mm wood 25mm		
	39.5x31x49.5cm/10pcs(colour box)	46x36x33.5cm/5pcs(BMC)	
	20/21kgs(colour box)	17/18.5kgs(BMC)	
	4610/9560/11210pcs(colour box)	2580/5345/6265pcs(BMC)	

**R8605**

IMPACT DRILL



**FEATURES**

- Variable speed to suit different requirements in different applications.
- Drill and hammer function by turning the wheel.

**R8606/R8607**

IMPACT DRILL



**FEATURES**

- Variable speed to suit different requirements in different applications.
- Drill and hammer function by turning the wheel.

**SPECIFICATIONS**



	<b>R8605</b>	<b>R8606 / R8607</b>
	230-240V / 110-120V~ 50/60Hz	230-240V / 110-120V~ 50/60Hz
	500W	550W/650W
	3000r/min	0-2900r/min
	steel 10mm cement 10mm wood 20mm	steel 10mm cement 10mm wood 20mm
	59×37×24.5cm/10pcs(colour box) 46×36×33.5cm/5pcs(BMC)	
	20/21kgs(colour box) 17/18.5kgs(BMC)	
	5230/10840/12710pcs(colour box) 2580/5345/6265pcs(BMC)	

**R8608**

IMPACT DRILL



**FEATURES**

- Soft grip for comfortable and energy-saving operation.
- Recessed lock-on button for continuous use.
- Optional forward and reverse switch for convenient operation.

**R8609**

IMPACT DRILL



**FEATURES**

- Soft grip for comfortable and energy-saving operation.
- Recessed lock-on button for continuous use.
- Optional forward and reverse switch for convenient operation.
- With keyless chuck.

**SPECIFICATIONS**



	<b>R8608</b>	<b>R8609</b>
	230-240V / 110-120V~ 50/60Hz	230-240V / 110-120V~ 50/60Hz
	650W	900W
	0-3000rpm	0-3000rpm
	1	1
	steel 10mm cement 10mm wood 20mm	steel 13mm cement 13mm wood 25mm
	62×31.5×26cm/2pcs(colour box)	62×31.5×26cm/2pcs(colour box)
	7.6/8.6kgs(colour box)	7.6/8.6kgs(colour box)
	1102/2284/2678pcs(colour box)	1102/2284/2678pcs(colour box)

**R8701/R8702**

IMPACT DRILL



**R8801/R8802**

IMPACT DRILL



**FEATURES**

- Soft grip for comfortable and ergonomic operation.
- Variable speed to suit different requirements in different applications.

**FEATURES**

- Metal gear box with 2 speeds selections is capable of high performance.
- Soft grip for comfortable and ergonomic operation.
- Variable speed to suit different requirements in different applications.



**SPECIFICATIONS**

	R8701	R8702	R8801	R8802
	230-240V / 110-120V~ 50/60Hz		230-240V / 110-120V~ 50/60Hz	
	720W	850W	850W	1050W
	0-3000r/min	0-3000r/min	0-1100/0-3000r/min	0-1100/0-3000r/min
	1	1	2	2
	steel 13mm cement 13mm wood 25mm		steel 16/13mm cement 16/13mm wood 40/25mm	
	45×35.5×26.5cm/5pcs(colour box) 46×42.5×34cm/4pcs(BMC)		50×39×26.5cm/5pcs(colour box) 46×42.5×34cm/4pcs(BMC)	
	18/19.5kgs(colour box) 16/17.5kgs(BMC)		20/21.5kgs(colour box) 18/19kgs(BMC)	
	3305/6850/8030pcs(colour box) 2560/5305/6220pcs(BMC)		2705/5610/6575pcs(colour box) 1680/3500/4100pcs(BMC)	

**R8803**

IMPACT DRILL



**R8902**

ELECTRIC DRILL



**R8904**

TORQUE DRILL



**FEATURES**

- Conveniently located 2-mode switch allows for fast changes between hammering with rotation and rotation only.
- Recessed lock-on button for continuous use.
- Metal-gear housing for jobsite durability and increased reliability.

**FEATURES**

- Recessed lock-on button for continuous use
- 23 Position Clutch: Provides precise control for drilling into wood, metal, plastic, and all screwdriving tasks
- Built in LED Light illuminates the workpiece for superior visibility

**FEATURES**

- Ergonomic in-line design and palm fitting rubber grip maximizes productivity.
- Recessed lock-on button for continuous use.
- Optional forward and reverse switch for convenient operation.



**SPECIFICATIONS**

	R8803	R8904	R8902
	230-240V / 110-120V~ 50/60Hz	220V-240V/110-120V~50/60Hz	220V-240V/110-120V~50/60Hz
	1100W	300W	500W
	0-1100/0-3000r/min	0-800r/min	0-3000r/min
	2	1	1
	steel 16/13mm cement 16/13mm wood 40/25mm	10mm	Steel 10mm cement 10mm wood 20mm
	0×39×26.5cm/5pcs(colour box) 46×42.5×34cm/4pcs(BMC)		
	20/21.5kgs(colour box) 18/19kgs(BMC)		
	2705/5610/6575pcs(colour box) 1680/3500/4100pcs(BMC)		



**R2103 BAND SAW**

**FEATURES**

- External accessible brushes for convenience.
- Attractively designed lever to release and tighten the saw blade easily.
- A LED Work Light illuminates dark work surfaces for accurate cutting.



**SPECIFICATIONS**

	230-240V / 110-120V~ 50-60Hz
	1100W
	0-2.4m/s
	127mm×127mm
	141mm×13mm×0.65mm 10/14T
	59×20.5×41.5/1pcs (colour box) 57×39×43/2pcs(BMC)
	17/18kgs(colour box) 21/22kgs(BMC)
	560/1160/1360pcs(colour box) 580/1210/1420pcs(BMC)

**ACCESSORIES**

- Blade Wrenchφ3
- Cast iron base, suitable for R2103 and R2103-3
- Stamping metal base, suitable for all models



# R2103 BAND SAW

PROFESSIONAL POWER TOOLS



**BW2111**  
CORDLESS  
BAND SAW

**BRUSHLESS  
MOTOR**

**BR2104**  
CORDLESS  
BAND SAW



### FEATURES

- Attractively designed lever to release and tighten the saw blade easily.
- A LED Work Light illuminates dark work surfaces for accurate cutting.
- Brushless motor for longer lifetime and lower noise.



### FEATURES

- Attractively designed lever to release and tighten the saw blade easily.
- A LED Work Light illuminates dark work surfaces for accurate cutting.

### SPECIFICATIONS

	BW2111	BR2104
	18V	18V
	/	/
	0-2.0m/s	0-2.0m/s
	127mm×127mm	127mm×127mm
	1141mm×13mm×0.65mm 10/14T	1141mm×13mm×0.65mm 10/14T
	62×22.5×36/1pcs (colour box)	62×22.5×36/1pcs (colour box)
	17/18kgs(colour box)	17/18kgs(colour box)
	571/1183/1387pcs(colour box)	571/1183/1387pcs(colour box)



**BW2110**  
CORDLESS  
BAND SAW

**BRUSHLESS  
MOTOR**



### FEATURES

- Attractively designed lever to release and tighten the saw blade easily.
- A LED Work Light illuminates dark work surfaces for accurate cutting.
- Brushless motor for longer lifetime and lower noise.

### ACCESSORIES

1 pc Blade  
Wrenches: S3, S4



**BW2112**  
CORDLESS  
BAND SAW



### FEATURES

- Attractively designed lever to release and tighten the saw blade easily.
- A LED Work Light illuminates dark work surfaces for accurate cutting.

### SPECIFICATIONS

	BW2110	BW2112
	18V	18V
	0-3.2m/s	0-3.2m/s
	65mm×65mm	65mm×65mm
	835mm×13mm×0.5mm 10/14T	835mm×13mm×0.5mm 10/14T
	50×45.5×31.5 / 2pcs (colour box)	50×45.5×31.5 / 2pcs (colour box)
	3.5/4.5kgs(colour box)	3.5/4.5kgs(colour box)
	788/1633/1915pcs(colour box)	788/1633/1915pcs(colour box)





**FEATURES**

- Dust proof and water proof designed motor.
- Externally accessible brushes for greater serviceability and longer motor lifetime.
- Suitable for different working environments.

**KE110L**  
MARBLE CUTTER



**KE110D**  
MARBLE CUTTER



**KE110K**  
MARBLE CUTTER



**SPECIFICATIONS**

	KE110L	KE110D	KE110K
	230-240V / 110-120V~ 50-60Hz	230-240V / 110-120V~ 50-60Hz	230-240V / 110-120V~ 50-60Hz
	1250W	1250W	1750W
	13800r/min	13800r/min	13000r/min
	30mm	30mm	32mm
	110mm	110mm	110mm
	68×24.5×38.5cm/6pcs(colour box)	43.5×23.5×38.5cm/4pcs(colour box)	48.5×25.5×40cm/4pcs(colour box)
	19/20kgs(colour box)	14/15kgs(colour box)	15/16kgs(colour box)
	2616/5424/6360pcs(colour box)	2840/5892/6328pcs(colour box)	2260/4688/5496pcs(colour box)

**BR2400** CORDLESS CUT OFF SAW

**FEATURES**

- Rotatable handle for easily operate.
- With LED light for easy work.
- Metal gearbox for high efficiency and high torque.
- Brushless motor for longer lifetime and lower noise.



**SPECIFICATIONS**

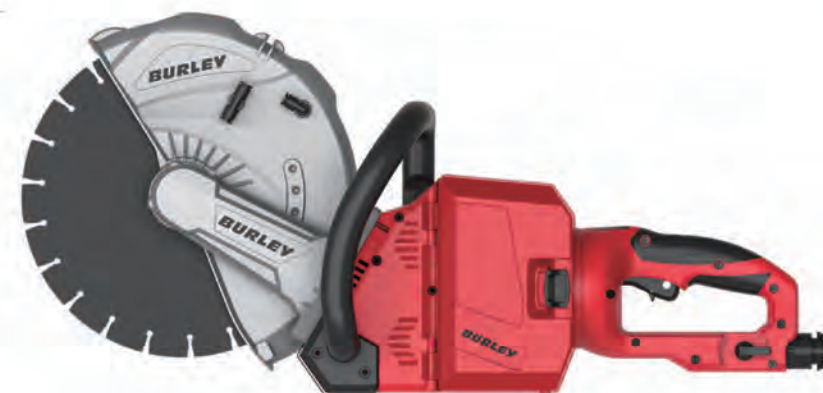
	40V		47×33×30cm/4pcs(colour box)
	5500-6000rpm		11.5/12.5kgs(colour box)
	250mm(10")		2360/4952/5800pcs(colour box)
	96mm		



**BR2401** CORDLESS CUT OFF SAW

**FEATURES**

- Rotatable handle for easily operate.
- With LED light for easy work.
- Metal gearbox for high efficiency and high torque.
- Brushless motor for longer lifetime and lower noise.



**SPECIFICATIONS**

	40V		47×33×30cm/4pcs(colour box)
	3800rpm		11.5/12.5kgs(colour box)
	300mm(12")		2360/4952/5800pcs(colour box)
	115mm		



**KX355D**  
CONCRETE CUTTING MACHINE



**KE150A**  
WALL CHASER



**BR3501**  
CORDLESS FISH TAPE TOOL



**FEATURES**

- Rubber shield protects the operators hand and motor from debris. Integrated nozzle can be connected to a vacuum cleaner for a cleaner work environment.
- Adjustable depth guard for consistent cutting and guide wheels on the tool ensure smooth travel over the surface material

**FEATURES**

- Two steel roll design, while operation the tool users can match the tool with wall easily.
- Function of dust collection resure workers from the dusty environment.
- Adjustable cutting depth from 8mm to 43mm, suitable for different cutting requirements.

**FEATURES**

- Fast threading .large torque for wire feed and collection
- Brushless motor for longer lifetime and lower noise
- With function of preventing excessive wire collection
- With all kinds of function , such for home decoration, factories, stores, municipal wiring, etc., or detect blocking position of underground pipeline



**SPECIFICATIONS**

	KX355D	KE150A	BR3501
	230-240V / 110-120V~ 50/60Hz		18V
	2600W	2400W	/
	4300r/min	8000r/min	40m/min
	125mm	8-43mm	20m(Φ6mm plastic covered steel wire)
	355mm	150mm	
	58.5×54.5×30cm/1pcs(colour box)	53×39×31.5cm/2pcs(BMC)	/
	12/14kgs(colour box)	20/21kgs(BMC)	4.8kg/pc
	290/600/710pcs(colour box)	848/1780/2088pcs(BMC)	/

**KX355K**  
CUT OFF SAW



**7201**  
CUT OFF SAW



**7301**  
CUT OFF SAW



**FEATURES**

- Externally accessible brushes for greater serviceability and longer motor life.
- Robust power and high cutting efficiency.
- Special design with big cutting capacity.

**FEATURES**

- Externally accessible brushes for greater serviceability and longer motor life.
- Robust power and high cutting efficiency.
- Special design with big cutting capacity.

**FEATURES**

- Externally accessible brushes for greater serviceability and longer motor life.
- Robust power and high cutting efficiency.
- Special design with big cutting capacity.

**SPECIFICATIONS**

	KX355K	7201	7301
	230-240V / 110-120V~ 50-60Hz	230-240V / 110-120V~ 50-60Hz	230-240V / 110-120V~ 50-60Hz
	2300W	2300W	2100W
	4000r/min	4000r/min	4000r/min
	Round 130 Square 120 Rectangle 120×130 Angle 140×140		
	355mm	355mm	355mm
	55×34×44.5cm(color box)		
	17/18kgs(colour box)		
	335/695/815pcs(color box)		



# Angle Grinder

Compact. Ergonomic. Powerful.



## M3101/M3102

## ANGLE GRINDER

### FEATURES

- Spindle lock button for easy disc change.
- Fully adjustable quick release guard.
- Power indicator for safety purpose.
- Soft grip for comfortable operation.



### ACCESSORIES

Spanner  
Side handle



### SPECIFICATIONS

	M3101	M3102
	230-240V / 110-120V~ 50-60Hz	
	750W/850W	900W/1100W/1200W
	12000r/min	
	115mm/125mm	
	35.5×30×37cm/6pcs(color box)	
	12/13.5kgs(color box)	
	4080/8424/9939pcs(color box)	



**M3102D**

ANGLE GRINDER



**M3106**

ANGLE GRINDER



**M3103**

ANGLE GRINDER



**FEATURES**

- Spindle lock button for easy disc change.
- Fully adjustable quick release guard.
- Power indicator for safety purpose.
- Variable speed for different applications with long rear-handle.

**FEATURES**

- Spindle lock button for easy disc change.
- Fully adjustable quick release guard.
- Power indicator for safety purpose.
- Soft grip for comfortable operation.

**FEATURES**

- Spindle lock button for easy disc change.
- Fully adjustable quick release guard.
- Power indicator for safety purpose.
- Soft grip for comfortable operation.
- Variable speed for different applications.



**SPECIFICATIONS**

	M3102D	M3103	M3106
	230-240V / 110-120V~ 50-60Hz	230-240V / 110-120V~ 50-60Hz	230-240V / 110-120V~ 50-60Hz
	1200W	1400W	900W/1100W/1200W
	5000-10000/min, 6000-12000/min	6000-11000rpm	6000-12000/min
	115mm/125mm/150mm	115mm/125mm/150mm	115mm/125mm/150mm
	44.5×30×37cm/6pcs(color box)	35.5×30×37cm/6pcs(color box)	35.5×30×37cm/6pcs(color box)
	12/13.5kgs(color box)	12/13.5kgs(color box)	12/13.5kgs(color box)
	4080/8424/9939pcs(color box)	4080/8424/9939pcs(color box)	4080/8424/9939pcs(color box)

**M3104/M3105**

**ANGLE GRINDER**

**FEATURES**

- Spindle lock button for easy disc change.
- Fully adjustable quick release guard.
- Three position handle for easy and convenient operation.
- 180° rotating handle for easy carrying and convenient operations.



**ACCESSORIES**

Spanner  
Side handle



**SPECIFICATIONS**

	M3104	M3105
	230-240V / 110-120V~ 50-60Hz	230-240V / 110-120V~ 50-60Hz
	2000W/2200W	2350W/2500W
	6500r/min	6500r/min
	180mm/230mm	180mm/230mm
	57×20×27cm/6pcs(color box)	57×20×27cm/6pcs(color box)
	10.2/11.7kgs(color box)	10.2/11.7kgs(color box)
	4080/8424/9939pcs(color box)	4080/8424/9939pcs(color box)

**R5103A** MULTI-FUNCTION ROUTER



**FEATURES**

- With soft shaft to realize cutting, polishing, grinding, drilling, carving, sanding etc functions.
- Optional 282pcs accessories kit.

**R5102** MULTI TOOL



Quick change system for easier accessories change.

**R5101** MULTI TOOL



**FEATURES**

- Soft grip for comfortable operation.
- Power indicator for safety purpose.



**SPECIFICATIONS**

	R5103A	R5101	R5102
	230-240V / 110-120V~ 50-60Hz	230-240V / 110-120V~ 50-60Hz	
	550W	300W/400W	300W/400W
	5000-25000r/min	15000-22000rpm/10000-20000rpm	
	1/4" 1/8" 3/16"	3°/4°	3°/4°
	42×38×36cm/6pcs(color box) 42×37×36cm/4pcs(OPTIONAL 282PCS)	37×23×31cm/6pcs(color box)	33×25×26.5cm/6pcs(color box)
	10.2/11.5(colour box)	12/13kgs(colour box)	12/13kgs(colour box)
	3108/6444/7554pcs(colour box)	12/13kgs(colour box)	4032/6976/9888pcs(colour box)

**R5105** MULTI TOOL



**FEATURES**

- Soft grip for comfortable operation;
- Power indicator for safety purpose.
- Quick change system for easier accessories change.

**BR5120-1** MULTI TOOL



Quick change system for easier accessories change.

**BR5120** MULTI TOOL



Variable speed for different applications.

**FEATURES**

- Soft grip for comfortable operation;
- Power indicator for safety purpose.



**SPECIFICATIONS**

	R5105	BR5120	BR5120-1
	230-240V / 110-120V~ 50-60Hz	18V	18V
	300W/400W		
	15000-22000rpm/10000-20000rpm	5000-18000rpm	5000-18000rpm
	3°/4°	3°	3°
	37×23×31cm/6pcs(color box)	37×23×31cm/6pcs(color box)	33×25×26.5cm/6pcs(color box)
	12/13kgs(colour box)	12/13kgs(colour box)	12/13kgs(colour box)
	4032/6976/9888pcs(colour box)	4032/6976/9888pcs(colour box)	4032/6976/9888pcs(colour box)

**R1510**  
PLASTIC WELDING MACHINE



**R1517**  
PLASTIC WELDING MACHINE



**R1513**  
PLASTIC WELDING MACHINE



**FEATURES**

- Working temperature differs from 0 °C to 300°C.
- Applicable to PP and PE pipes with diameter from 20mm to 63mm.
- Different light colour indicates different working status.

**SPECIFICATIONS**



	R1510	R1513	R1517
	230-240V / 110-120V~ 50-60Hz	230-240V / 110-120V~ 50-60Hz	230-240V / 110-120V~ 50-60Hz
	850W/1500W	850W/1500W	850W/1500W
	0-300 °C	0-300 °C	0-300 °C
	44×35×20cm/4pcs(colour box) 45.5×40×22cm/4pcs(Tin box)		
	9.5/10.5kgs(colour box) 12.5/13.5kgs(Tin box)		
	5240/10850/12720pcs(colour box) 2796/5792/6792pcs(Tin box)		

**BA7141**  
GREASE GUN



**BM3302**  
CORDLESS RIVET GUN



**FEATURES**

- Integrated hose storage and LED fuel gauge adds user convenience and less down time.
- Variable speed trigger for precise control of the grease flow.

**FEATURES**

- With Hall sensor to achieve automatically return after riveting.
- With rivet collecting to collect the wasting rivets core with 65mm in the end bottle.

**SPECIFICATIONS**



	BA7141	BM3302
	18V	18V
	8000Psi	<b>F</b> 10000N
	3.5-4.0A	$\varnothing$ 2.4mm 3.2mm 4.0mm 4.8mm
		25mm
	48×38×30cm/5pcs(colour box)	44.5×30×37cm/6pcs(color box)
	16.5/18.5kgs(colour box)	12/13.5kgs(color box)
	2545/5270/6180pcs(colour box)	4080/8424/9939pcs(color box)

# Automotive

Compact. Ergonomic. Powerful.

## R7171 DUAL ACTION POLISHER

### FEATURES

- Professionally designed driving system realizes lower noise and stronger power.
- Bigger eccentric diameter (21mm) to realize higher efficiency and better polishing results.
- Soft start prevents uncontrolled start while constant speed control maintains same speed under different loadings.



### ACCESSORIES

Wrenches: Ø6  
Wrenches: Sponge



### SPECIFICATIONS

	230-240V / 110-120V~ 50-60Hz
	720W/900W
	2100-5000rpm
	125mm/150mm
	15mm/21mm
	47×33×30cm/4pcs(colour box) 52×34×52cm/4pcs(BMC)
	11.5/12.5kgs(colour box) 18/19.5kgs(BMC)
	2360/4952/5800pcs(colour box) 1444/2996/3512pcs(BMC)

**FEATURES**

- Professionally designed driving system realizes lower noise and stronger power.
- Bigger eccentric diameter (21mm) to realize higher efficiency and better polishing results.
- Soft start prevents uncontrolled start while constant speed control maintains same speed under different loadings.

**R7172 DUAL ACTION POLISHER**



**A7164 PADS REPLACEABLE POLISHER**



ORBITAL  
POLISHING



ROTARY  
POLISHING

**ACCESSORIES**

Wrenches: Ø6  
Wrenches: Sponge



**SPECIFICATIONS**

	R7172	A7164
	230-240V / 110-120V~ 50-60Hz	230-240V/110-120V 50Hz/60Hz
	720W/900W	720W
	2100-5000rpm	900-2200rpm 180mm 1800-4400rpm 125mm 15mm 1800-4400rpm 150mm 21mm
	125mm/150mm	180/125/150mm
	15mm/21mm	15/21mm
	51×33×30cm/4pcs(colour box) 56×34×52cm/4pcs(BMC)	51×33×30cm/4pcs(colour box) 56×34×52cm/4pcs(BMC)
	14/15.5kgs(colour box) 18/19.5kgs(BMC)	14/15.5kgs(colour box) 18/19.5kgs(BMC)
	2160/4520/5300pcs(colour box) 1444/2996/3512pcs(BMC)	2160/4520/5300pcs(colour box) 1444/2996/3512pcs(BMC)

**R7181 POLISHER**



**R7182 POLISHER**



**R7191 POLISHER**



**FEATURES**

- Speed dial for optimum speed setting from 600 to 2000rpm.
- Externally accessible brushes for easy servicing and longer motor life.
- Lock the spindle for easy assembly and removing off the polishing pad.

**FEATURES**

- Speed dial for optimum speed setting from 600 to 3300rpm.
- Externally accessible brushes for easy servicing and longer motor life.
- Lock the spindle for easy assembly and removing off the polishing pad.

**SPECIFICATIONS**

	R7181	R7182	R7191
	230-240V / 110-120V~ 50-60Hz	230-240V / 110-120V~ 50-60Hz	230-240V / 110-120V~ 50-60Hz
	900W	1200W	1300W
	600-2000rpm	600-3300rpm	600-3000rpm
	180mm	180mm	180mm
	46×38×30cm/6pcs(colour box)	48×42.5×29cm/4pcs(colour box) 61×49.5×27cm/4pcs(BMC)	53×40×23cm/4pcs(colour box)
	15/16.5kgs(colour box)	15/16.5kgs(colour box) 19/20.5kgs(BMC)	15/16.5kgs(colour box)
	3120/6464/7580pcs(colour box)	1864/3932/4608pcs(colour box) 1372/2844/3336pcs(BMC)	2285/4734/5551pcs(colour box)





**R7183** POLISHER



**R7184** POLISHER



**R7183-R** POLISHER



**FEATURES**

- Adjustable speed wheel.
- Spindle-lock function for easy changing of polish pad.
- With LCD to show speed directly.

**FEATURES**

- Adjustable speed wheel.
- Spindle-lock function for easy changing of polish pad.



**ROTARY POLISHING**



**SPECIFICATIONS**

	R7183	R7183-R	R7184
	230-240V / 110-120V~ 50-60Hz	230-240V / 110-120V~ 50-60Hz	230-240V / 110-120V~ 50-60Hz
	1100W/1200W	1100W	1100W/1200W
	0-3000rpm	600-3000rpm	0-3000rpm
	180mm	180mm	180mm
	46x38x30cm/4pcs(colour box)	62x52x24cm/4pcs(BMC)	
	14/15.5kgs(colour box)	18/19.5kgs(BMC)	
	2100/4400/5160pcs(colour box)	1444/2996/3512pcs(BMC)	

**R7186** POLISHER



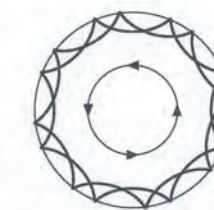
**FEATURES**

- Easily accessible sliding on/off switch.

**SGA601** POLISHER



Interchangeable Pads



**GEAR DRIVEN**

**FEATURES**

- Externally accessible brushes for greater serviceability and longer motor life.

**SPECIFICATIONS**



	R7186	SGA601
	230-240V / 110-120V~ 50/60Hz	
	120W	1200W
	3200rpm	160-480rpm
	240mm	180mm
	5mm	8mm
	52x27x48cm/4pcs(colour box)	47x33x30cm/4pcs(colour box)
	11/12kgs(colour box)	11.5/12.5kgs(colour box)
	1592/3296/3868pcs(colour box)	2360/4952/5800pcs(colour box)

**SDA302** DUAL ACTION POLISHER



**SDA502** DUAL ACTION POLISHER



**SDA602** DUAL ACTION POLISHER



**FEATURES**

- Adjustable speed wheel.
- Spindle-lock function for easy changing of polish pad.



**SPECIFICATIONS**

	SDA302	SDA502	SDA602
	230-240V / 110-120V~ 50-60Hz	230-240V / 110-120V~ 50-60Hz	230-240V / 110-120V~ 50-60Hz
	780W	780W	780W
	2000-5500rpm	2000-5500rpm	2000-5500rpm
	100mm	150mm	180mm
	10mm	8mm	8mm
	74mm(3")	124mm(5")	148mm(6")
	47×33×30cm/4pcs(colour box)	47×33×30cm/4pcs(colour box)	47×33×30cm/4pcs(colour box)
	11.5/12.5kgs(colour box)	11.5/12.5kgs(colour box)	11.5/12.5kgs(colour box)
	2360/4952/5800pcs(colour box)	2360/4952/5800pcs(colour box)	2360/4952/5800pcs(colour box)



**BR7189** MINI POLISHER



**BR7190** POLISHER



**FEATURES**

- With variable speed 0-3000 rpm to avoid splashing during starting up.
- Spindle-lock function for easy changing of polish pad.
- With rotatable handle for easy to polish corner.

**FEATURES**

- With variable speed 0-3000 rpm to avoid splashing during starting up.
- Spindle-lock function for easy changing of polish pad.
- With rotatable handle for easy to polish corner.

**ACCESSORIES**

- Sponge Cone Polishing Pad
- Microfiber Polishing Bonnet
- 3-inch Velcro Foam polishing Pad
- 3 inch Velcro Wool Bonnet
- 3-inch Velcro Foam Compounding Pad
- Side handle



**SPECIFICATIONS**

	BR7189	BR7190
	10.8V	10.8V
	0-3000rpm	0-3000rpm
	75mm	75mm
	51.2×32×21cm/6pcs(colour box)	42×38×34.5cm/8pcs(BMC)
	15/16.5kgs(colour box)	19/20.5kgs(BMC)
	1864/3932/4608pcs(colour box)	1372/2844/3336pcs(BMC)



**A7177** DUAL ACTION POLISHER



**A7175** DUAL ACTION POLISHER



**A7178** DUAL ACTION POLISHER



**A7176** DUAL ACTION POLISHER



**FEATURES**

- Professionally designed driving system realizes lower noise and stronger power.
- Adjustable speed wheel
- Eccentric action for better polishing result.

**FEATURES**

- Professionally designed driving system realizes lower noise and stronger power.
- Bigger eccentric diameter (21mm) to realize higher efficiency and better polishing results.
- Soft start prevents uncontrolled start while constant speed control maintains same speed under different loadings.
- The on-off switch with speed adjustable function by pressing the button

**SPECIFICATIONS**



	A7177	A7178	A7175	A7176
⚡	230-240V / 110-120V~ 50-60Hz			
🔊	710W	710W	500W	500W
🔄	4000-5500rpm	4000-5500rpm	3000-4500rpm	3000-4500rpm
⊘	125mm	75mm	150mm	125mm
⊙	12mm	12mm	21mm	15mm
📦	51×33×30cm/4pcs(colour box) 56×34×52cm/4pcs(BMC)		51×33×30cm/4pcs(colour box) 56×34×52cm/4pcs(BMC)	
👤	14/15.5kgs(colour box) 18/19.5kgs(BMC)		14/15.5kgs(colour box) 18/19.5kgs(BMC)	
📦	2160/4520/5300pcs(colour box) 1444/2996/3512pcs(BMC)		2160/4520/5300pcs(colour box) 1444/2996/3512pcs(BMC)	

**A7198** POLISHER



**BA7102** CORDLESS POLISHER



**BA7162** CORDLESS DA POLISHER



**FEATURES**

- With adjustable speed wheel.
- Spindle-lock function for easy changing of polish pad.

**FEATURES**

- Cordless Polisher with Brushless motor to provide longer life
- Spindle lock function for easy changing of polishing pad
- 6-speed setting by adjustable wheel, adjusts the speed to meet different polishing needs.

**FEATURES**

- Cordless Polisher with Brushless motor to provide longer life
- Spindle lock function for easy changing of polishing pad
- 6-speed setting by adjustable wheel, adjusts the speed to meet different polishing needs.
- Eccentric action for better polishing result.

**SPECIFICATIONS**



	A7198	BA7102	BA7162
⚡	230-240V / 110-120V~ 50-60Hz	18V	18V
🔊	1200W	/	/
🔄	600-2100rpm	500-2200rpm	2300-3800rpm
⊘	150mm	150mm	150mm
⊙	/	/	15mm
📦	48×42.5×29cm/4pcs(colour box)	44.5×41×34cm/6pcs(colour box)	44.5×41×34cm/6pcs(colour box)
👤	15/16.5kgs(colour box)	14/15kgs(colour box)	14/15kgs(colour box)
📦	1864/3932/4608pcs(colour box)	2705/5612/6580pcs(colour box)	2705/5612/6580pcs(colour box)

**BR7194** CORDLESS POLISHER



**BRUSHLESS MOTOR**

**BR7173** CORDLESS DA POLISHER



**BRUSHLESS MOTOR**

**BA7166** CORDLESS DA POLISHER

**BRUSHLESS MOTOR**



**BA7107** CORDLESS POLISHER

**BRUSHLESS MOTOR**



**FEATURES**

- Cordless Polisher with Brushless motor to provide longer life
- Spindle-lock function for easy changing of polish pad.
- With LCD to show speed directly.

**FEATURES**

- Cordless Polisher with Brushless motor to provide longer life
- Spindle lock function for easy changing of polishing pad
- 6-speed setting by adjustable wheel, adjusts the speed to meet different polishing needs.

**FEATURES**

- Cordless Polisher with Brushless motor to provide longer life
- Spindle-lock function for easy changing of polish pad.
- With LCD to show speed directly.

**FEATURES**

- Cordless Polisher with Brushless motor to provide longer life
- Spindle lock function for easy changing of polishing pad
- 6-speed setting by adjustable wheel, adjusts the speed to meet different polishing needs.



**SPECIFICATIONS**

	BR7194	BR7173	BA7166	BA7107
	18V	18V	18V	18V
	500-3000rpm	2100-5000rpm	2000-5000rpm	500-3000rpm
	150mm	125mm	125mm	150mm
	/	15mm	15mm	15mm
	38.5×34×35cm/6pcs(colour box)	44.5×41×34cm/6pcs(colour box)	44.5×41×34cm/6pcs(colour box)	
	14/15kgs(colour box)	14/15kgs(colour box)	14/15kgs(colour box)	
	3652/7565/8869pcs(colour box)	2705/5612/6580pcs(colour box)	2705/5612/6580pcs(colour box)	

**BA7104** POLISHER



**R7304** ORBITAL SANDER



**FEATURES**

- Full-sized 240mm Buffing applicator and bonnet
- Random orbital action delivers a swirl-free finish
- Ergonomic handle provides comfort and access to hard-to-reach spaces

**FEATURES**

- Adjustable auxiliary handle adapts the tool to the job and matches operator preference.
- Dual orbit sanding action with-free-run made for fine sanding.
- Variable speed control and backing pad braking system adapt to a variety of materials.

**SPECIFICATIONS**



	BA7104	R7304
	/	230-240V / 110-120V~ 50-60Hz
	/	500W
	2500rpm	2500-6250rpm
	240mm	150mm
	5mm	5mm
	56×30.5×24cm/2pcs(colour box)	40×36.5×19cm/2pcs(colour box)
	14/15kgs(colour box)	7.4/8.4kgs(colour box)
	1356/2829/3317pcs(colour box)	2018/4180/4900pcs(colour box)

**R7402**

BURNISHING  
POLISHING MACHINE



**BA7403**

CORDLESS BURNISHING  
POLISHING MACHINE



FEATURES

- Rotating self-contained dust extraction port with dust collection bag.
- Optional dust-free adaptor with 28mm outlet for user with dust-free vacuums.
- Lock on switch offers continuous and power-saving operation.



SPECIFICATIONS



	R7402	BA7403
	230-240V/110V-120V~50-60Hz	18V
	1300W	500W
	900-3700rpm	2000-4500rpm
	120mm	120mm
	/	5mm
	49x46x28cm/4pcs(colour box)	40x36.5x19cm/2pcs(colour box)
	7.4/8.4kgs(colour box)	7.4/8.4kgs(colour box)
	444/920/1079pcs(colour box)	2018/4180/4900pcs(colour box)

**R7303**

ORBITAL SANDER

BRUSHLESS  
MOTOR



**R7307**

CORDLESS BURNISHING  
POLISHING MACHINE

BRUSHLESS  
MOTOR



FEATURES

- Light weight with compact design for easy to move around, easily use by 2 hands for heavy sanding applications.
- The low design gives you good control over the sanding process since your hand is close to the surface.
- Dustless sanding to be realized by connecting to the vacuum cleaner.
- Brushless motor.

FEATURES

- Light weight with compact design for easy to move around, easily use by 2 hands for heavy sanding applications.
- The low design gives you good control over the sanding process since your hand is close to the surface.
- Dustless sanding to be realized by connecting to the vacuum cleaner.
- Brushless motor.

SPECIFICATIONS



	R7303	R7307
	230-240V/110V-120V~50-60Hz	230-240V/110V-120V~50-60Hz
	350W	350W
	4000-10000rpm	4000-10000rpm
	150mm/125mm	197x70mm
	5mm/2.5mm	3.0mm
	62x31.5x26cm/2pcs(colour box)	62x31.5x26cm/2pcs(colour box)
	7.6/8.6kgs(colour box)	7.6/8.6kgs(colour box)
	1102/2284/2678pcs(colour box)	1102/2284/2678pcs(colour box)

**R1600** HEAT GUN



**R1610** HEAT GUN



**R1630** HEAT GUN



**FEATURES**

- Removable front ring enables working in hard-to-reach places.
- Stainless steel duct are employed to ensure durability.

**FEATURES**

- Removable front ring enables working in hard-to-reach places.
- Stainless steel duct are employed to ensure durability.

**FEATURES**

- Removable front ring enables working in hard-to-reach places.
- Stainless steel duct are employed to ensure durability.
- MFCT and LCD panel ensures accurate temperature and air flow control.

**SPECIFICATIONS**



	R1600	R1610	R1630
	230-240V / 110-120V~ 50-60Hz	230-240V / 110-120V~ 50-60Hz	230-240V / 110-120V~ 50-60Hz
	1800W	1800W	2000W
	STAGE I / STAGE II	STAGE I / STAGE II / STAGE III	STAGE I / STAGE II / STAGE III
	cool air/380 °C/600 °C	cool air/380 °C/600 °C	cool air/50-630 °C/50-630 °C
	300L/min 500L/min	500L/min 300L/min 500L/min	120-550L/min 120-550L/min 500L/min
	54×39×29cm/8pcs(colour box)	64.5×33×29.5cm/6pcs(BMC)	
	12/13kgs(colour box)	15/16kgs(BMC)	
	3680/7600/8920pcs(colour box)	2670/5550/6510pcs(BMC)	

**R1670** HEAT GUN



**R1680** HEAT GUN



**R1690** HEAT GUN



**FEATURES**

- Removable front ring enables working in hard-to-reach places.
- Stainless steel duct are employed to ensure durability.

**FEATURES**

- Removable front ring enables working in hard-to-reach places.
- Stainless steel duct are employed to ensure durability.

**FEATURES**

- Removable front ring enables working in hard-to-reach places.
- Stainless steel duct are employed to ensure durability.
- MFCT and LCD panel ensures accurate temperature and air flow control.

**SPECIFICATIONS**



	R1670	R1680	R1690
	230-240V / 110-120V~ 50-60Hz	230-240V / 110-120V~ 50-60Hz	230-240V / 110-120V~ 50-60Hz
	1800W	2000W	2000W
	STAGE I / STAGE II / STAGE III	STAGE I / STAGE II / STAGE III	STAGE I / STAGE II / STAGE III
	cool air/380 °C/580 °C	cool air/50-600 °C/50-600 °C	cool air/50-630 °C/50-630 °C
	500L/min 300L/min 500L/min	500L/min 300L/min 500L/min	120-550L/min 120-550L/min 500L/min
	54×39×29cm/8pcs(colour box)	64.5×33×29.5cm/6pcs(BMC)	
	12/13kgs(colour box)	15/16kgs(BMC)	
	3680/7600/8920pcs(colour box)	2670/5550/6510pcs(BMC)	

**R1611** HEAT GUN



**R1612** HEAT GUN



**BH1601** CORDLESS HEAT GUN



**FEATURES**

- Removable front ring enables working in hard-to-reach places.
- Adjustable design, allowing access to awkward places.

**FEATURES**

- Removable front ring enables working in hard-to-reach places.
- Adjustable design, allowing access to awkward places.
- MFCT and LCD panel ensures accurate temperature and air flow control.

**FEATURES**

- Quick temperature rising (7 seconds)
- Stable temperature
- Big torque with small body
- With soft grip on handle for comfortable grip during use
- With Belt hook
- With LED lighting

**SPECIFICATIONS**

	R1611	R1612	BH1601
	230-240V / 110-120V~ 50-60Hz		20V
	1800W	2000W	
	STAGE I / STAGE II	STAGE I / STAGE II	STAGE I / STAGE II
	cool air/380°C/580°C	cool air/50-60°C/50-600°C	Temp/280°C/530°C
	300L/min 500L/min	300L/min 500L/min	110L/min 190L/min
	54×39×29cm/8pcs(colour box) 64.5×33×29.5cm/6pcs(BMC)		47×33×30cm/4pcs(colour box) 52×34×52cm/4pcs(BMC)
	12/13kgs(colour box) 15/16kgs(BMC)		11.5/12.5kgs(colour box) 18/19.5kgs(BMC)
	3680/7610/8920pcs(colour box) 2670/5550/6510pcs(BMC)		2360/4952/5800pcs(colour box) 1444/2996/3512pcs(BMC)



Picture	Description	Model No.	Picture	Description	Model No.	Picture	Description	Model No.
	Window Nozzle	HGA-01		Reduction Nozzle	HGA-08		Fast Welding Nozzle Set	HGA-10&12
	Surface Nozzle	HGA-02		Reduction Nozzle	HGA-09		Glass Protector Nozzle	HGA-13
	Surface Nozzle	HGA-03		Reduction Nozzle	HGA-10		Reflector Nozzle	HGA-14
	Window Nozzle	HGA-04		Fast Welding Nozzle	HGA-11		Reduction Nozzle	HGA-15
	Wide-Slit Nozzle	HGA-05		Fast Welding Nozzle	HGA-12			
	BBQ Nozzle	HGA-06		Wide-Slit Nozzle Set	HGA-05&09			
	Scraper and Handle	HGA-07		Fast Welding Nozzle Set	HGA-10&11			

# Garden Tools

Compact. Ergonomic. Powerful.

## BG4101 Cordless String Trimmer

### FEATURES

- Brushless motor for longer lifetime and lower noise.
- The handle is rotatable according to your working requirement.
- Detachable extended tube for saving space, more convenient for transport.



### SPECIFICATIONS

	20V
	350W
	6000rpm
	300mm
	Φ1.65/2.0
	75×20×20cm/1pc(colour box)
	11.5/12.5kgs(colour box)
	950/1950/2280pcs(colour box)



**BG4301 HEDGE TRIMMER**

**FEATURES**

- Brushless motor for longer lifetime and lower noise
- Big torque with small body
- With soft grip for comfortable grip during use
- With sealed aluminum alloy back strip, strong and dustproof
- With unique blade lubrication function (Burley has patent for it), which made the blade sharper and more durable and with higher cutting efficiency
- With display during work



**SPECIFICATIONS**

	18V		97×25×21cm/1pc(colour box)
	2800spm		7/8kgs(colour box)
	500mm(20")		550/1150/1340pcs(colour box)
	20mm		



**BG4201 CORDLESS BLOWER**

**FEATURES**

- Brushless motor for longer lifetime and lower noise
- Big torque with small body
- With soft grip for comfort during use
- 3 variable speeds for different use



**SPECIFICATIONS**

	20V		47×33×30cm/4pcs(colour box)
	10000/14000/17500rpm		11.5/12.5kgs(colour box)
	95MPH		2360/4952/5800pcs(colour box)
	360CFM		



**LITHIUM BATTERY PLATFORM**



Anti-dust and anti-water structure designed between terminals.



LED to show battery capacity



Vibration deduction structure.



Strengthened slider to connect tools. Qualified for heavy duty work.

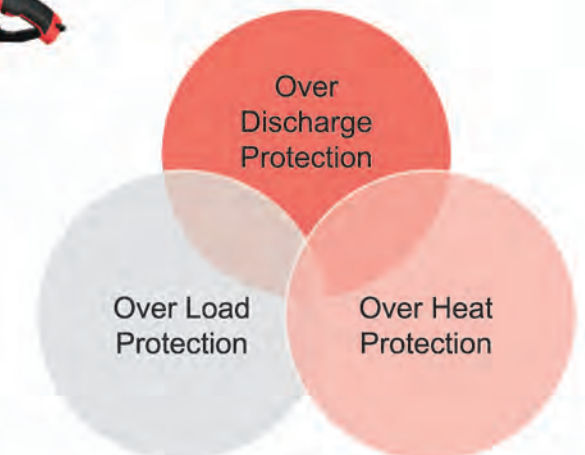
With internal procedure to realize the communication between machine and the battery, arriving the optimum performance for the battery and motor.



The charger (2A/4A) is with function of automatic maintenance system.

21700&18650 battery cell are available. Battery capacity is available from 2Ah to 8Ah.

Unique tool, battery, charger system, offering solutions for home improvement DIY'S and professionals.



**BATTERY**



Battery Cell	21700
Charging Time	4Ah: 120 mins
	8Ah: 240 mins

Battery Cell	18650
Charging Time	2Ah: 60 mins
	4Ah: 120 mins

**CHARGER**



Charging Current	2A
Input Voltage	100-240V AC
Output Voltage	20V DC

# Cordless Products Plan

