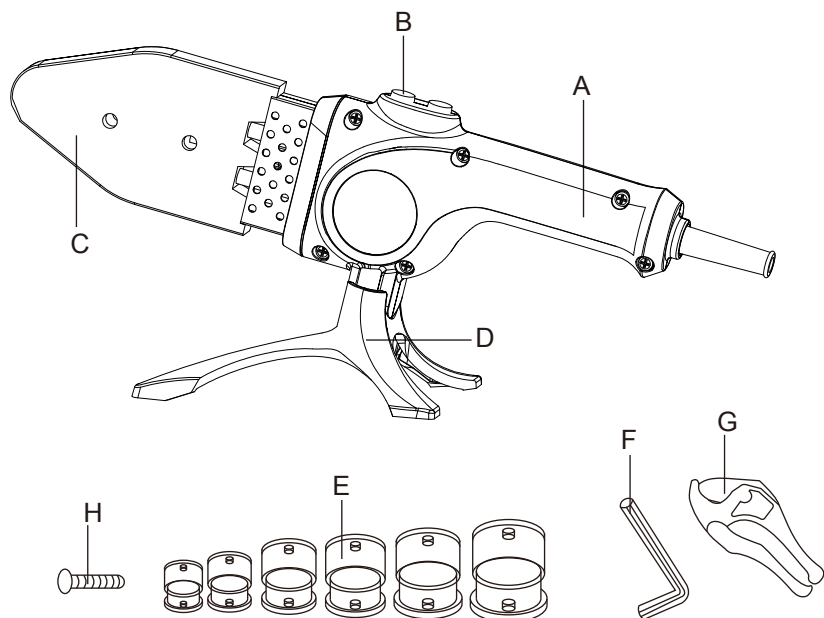


Plastic Welding Machine

Model No:R1517A



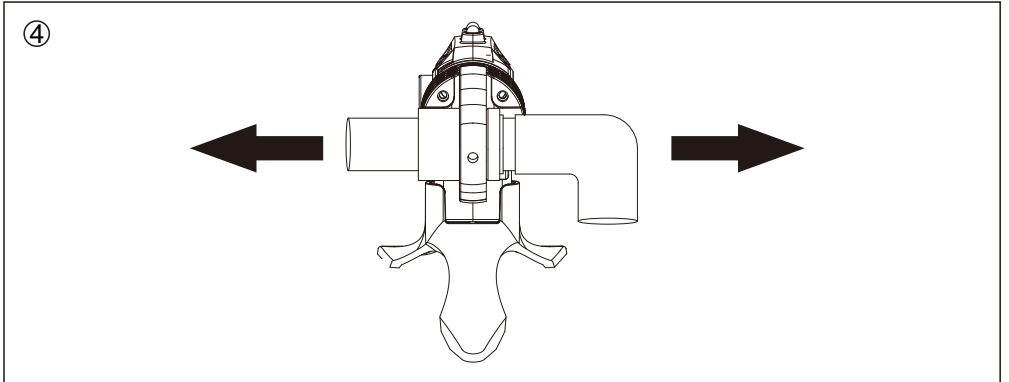
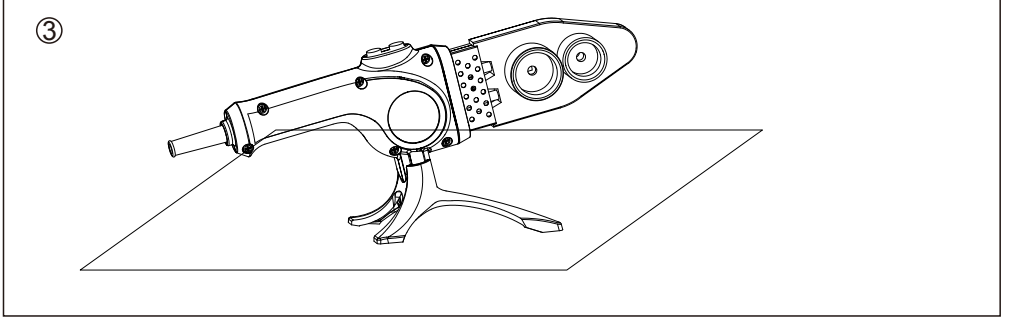
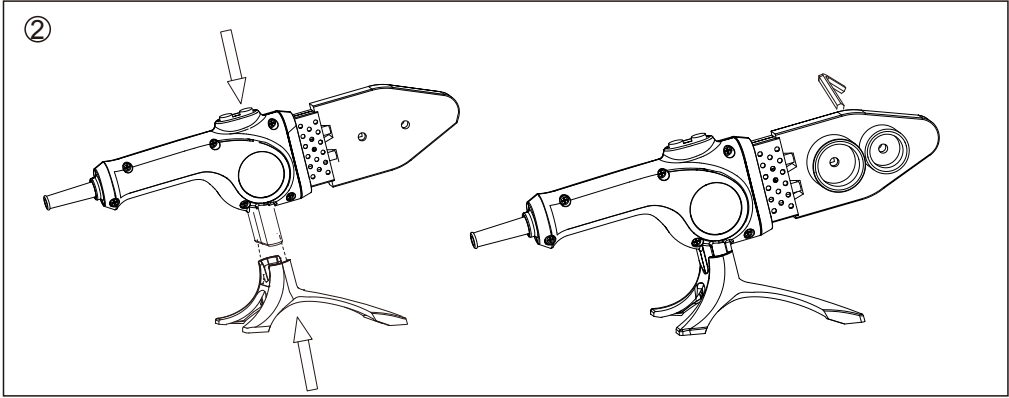
①



- A. Handle
- B. Power indicator
- C. Heating element
- D. Stand
- E. Heating sockets
- F. Wrench
- G. Scissors
- H. Screw

FECHNICAC SPECIFIC ATIONS

| | |
|-------------------------|------------------------------------|
| Model Number: | R1517A |
| Voltage: | 220–240V/110–120V ~ 50/60Hz |
| Power: | 850W |
| Temperature: | 300°C |
| Heating sockets: | φ 20, φ 25, φ 32, φ 40, φ 50, φ 63 |
| Screw: | M8X1, M10X1 |



SAFETY



Read and observe the instructions for use before using for the first time.

1. General safety instructions

- > To operate this device safely, the user must have read and understood these instructions for use before using the device for the first time.
- > Observe all safety instructions! Failure to do so may cause harm to you and others.
- > Retain all instructions for use, and safety instructions for future reference.
- > If you sell or pass the device on, you must also hand over these operating instructions.
- > The device must only be used when it functions properly. If the product or part of the product is defective, it must be taken out of operation and disposed of correctly.
- > Never use the device in a room where there is a danger of explosion or in the vicinity of flammable liquids or gases.
- > Always ensure that a device which has been switched off cannot be restarted unintentionally.
- > Do not use devices with an on/off switch that does not function correctly.
- > Keep children away from the device! Keep the device out of the way of children and other unauthorised persons.
- > Do not overload the device. Do not use the device for purposes for which it is not intended.
- > Make sure to always wear the required personal protective equipment.
- > Exercise caution and only work when in good condition: If you are tired, ill, if you have ingested alcohol, medication or illegal drugs, do not use the device, as you are not in a condition to use it safely.
- > This product is not intended to be used by persons (including children) or who are limited in their physical, sensory or mental capacities or who lack experience and/or knowledge of the product unless they are supervised, or have been instructed on how to use the product, by a person responsible for their safety.
- > Ensure that children are not able to play with the device.
- > Always comply with all applicable domestic and international safety, health, and working regulations.

2. Electrical safety

- > The device may only be connected to a socket that is correctly installed and grounded.
- > The fuse must be a residual current circuit-breaker with a measured residual current of no more than 30 mA.

- > Make sure that the power supply corresponds with the connection specifications of the device before it is connected.
- > The tool may only be used within the specified limitations for voltage and power (see type plate).
- > Do not touch the mains plug with wet hands! Always pull out the mains plug at the plug and not by the cable.
- > Do not bend, crush, pull or drive over the power cable, protect from sharp edges, oil and heat.
- > Do not lift the device using the cable or use the cable for purposes other than intended.
- > Check the plug and cable before each use.
- > If the power cable is damaged immediately disconnect the plug. Never use the device if the power cable is damaged.
- > If the device is not in use make sure the plug is pulled out.
- > Make sure that the device is switched off before plugging in the mains cable.
- > Make sure that the device is switched off before unplugging it.
- > Disconnect the power supply before transporting the device.

3. Device-specific safety instructions

- > Make sure the workplace is adequately ventilated. Residual gases and vapours can be harmful to health.
- > Do not operate the product in moist environments or allow it to become moist.
- > Careless handling of the product increases the risk of fire and explosion.
- > Flammable and toxic gases can develop when working with synthetics, paints, varnishes and similar materials. Do not work in the proximity of highly flammable gases or materials.
- > Heat can reach flammable parts that are not visible.
- > Do not use the product in the same position for a long time.
- > Risk of burns! Do not touch the hot nozzle. Wear protective gloves.
- > Never point the hot air current at persons or animals.
- > Never use the product as a hair dryer or for drying clothing.
- > Do not move the heating element too close to the part to be treated. The resultant build up of air can cause the product to overheat.
- > Do not block the air inlet openings.
- > Let the product completely cool before storing. The heating element can cause damage and fires.
- > Symbols affixed to your tools may not be removed or covered. Information on the device that is no longer legible must be replaced immediately.

Operation



WARNING!

Heating sockets are available in different diameters! Always use the correct heating socket according to the intended use! Observe the technical requirements of this product (see section "Technical specifications") when purchasing and using heating sockets!



NOTICE!

Socket becomes hot during use! Wear protective gloves during using in order to avoid injuries like burns!

Heating sockets

Installation ②

- Put the machine on stand(D).
- Align heating socket(E) on both sides of heating element(C). Screw the heating socket(E) clockwise on the heating element(C).
- Fix the heating socket(E) with screw(I), tighten it by clockwise.

Removing/Placing ②

- Loosen the screw(H) with the wrench(F), remove the heating socket(E), if change to another pair of heating socket(E), repeat the mentioned above steps.

Welding ③④

- > Put the assembled machine on flat mesa.
- > When red indicator turn off, push the pipe and connector into corresponding matrixes and keeping some time(refer to below table).

| Specification(mm) | Heating time(s) | Melting depth(mm) |
|-------------------|-----------------|-------------------|
| 20 | 15 | 14 |
| 25 | 16 | 16 |
| 32 | 20 | 20 |

- > Pull the pipe and connector out and insert to each other in seconds until it cool down.
- > Let the heating socket(E) cool down before lifting it from heating element(C).

Cleaning and maintenance

WARNING!



Risk of injury! Switch off the product and disconnect the mains plug before all cleaning and maintenance work. Wait until all moving parts have come to a complete stop and the product has cooled down.

Cleaning the product

Careful handling and regular cleaning ensure that the product remains functional and efficient for a long time.

- Wipe down the product with a slightly damp cloth.
- Never spray the product with water or expose it to water.
- Never use detergents or solvents for cleaning. This can cause irreparable damage to the product. The plastic parts can be eaten away by the chemicals.
- Keep the air inlet openings and nozzle clear of impurities and blockages.

Symbols

On the product, the rating label and within these instructions you will find among others the following symbols and abbreviations. Familiarize yourself with them to reduce hazards like personal injuries and damage to property.

| | | | |
|---------------------------|-----------------------------|------------------|----------------------------|
| V~ | Volt, (alternating voltage) | mm | Millimetre |
| Hz | Hertz | kg | Kilogram |
| W | Watt | dB(A) | Decibel (A-rated) |
| /min or min ⁻¹ | Per minute | m/s ² | Metres per seconds squared |
| l | Liter | Nm | Newton metre |



Lock / to tighten or secure.



Unlock / to loosen.



Note / Remark.



Caution / Warning.



Read the instruction manual.



Wear hearing protection.



Wear eye protection.



Wear a dust mask.



Wear protective gloves.



Wear protective, slip-resistant footwear.



Switch the product off and disconnect it from the power supply before assembly, cleaning, adjustments, maintenance, storage and transportation.



This product is of protection class II. That means it is equipped with enhanced or double insulation.



The product complies with the applicable European directives and an evaluation method of conformity for these directives was done.



WEEE symbol. Waste electrical products should not be disposed of with household waste. Please recycle where facilities exist. Check with your Local Authority or local store for recycling advice.

