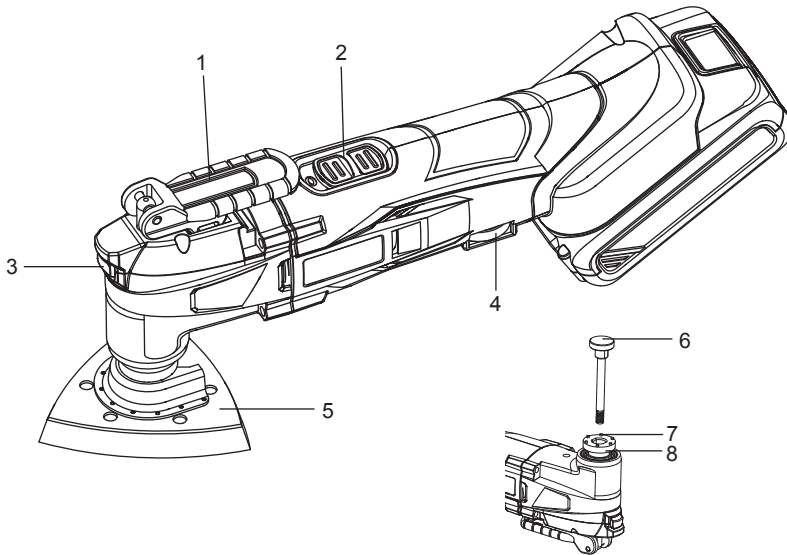


Cordless Multi-tool

Model No:BR5120-1



①



- 1. Shaft Lock Button
- 3. Digital Display
- 5. Sanding papers
- 7. Locating pins

- 2. On-off Switch
- 4. Speed Dial
- 6. Quick release clamp
- 8. Cover clamp

Technical Data

Voltage:	18V
Battery type:	Li-Ion
No Load Speed:	5000-18000rpm
Oscillations angle:	3.0°

SAFETY

GENERAL SAFETY INSTRUCTIONS



WARNING! Read all safety warnings and all instructions. Failure to follow the warnings and instructions may result in electric shock, fire and/or serious injury. Save all warnings and instructions for future reference. The term “power tool” in the warnings refers to your mainsoperated (corded) power tool or battery-operated (cordless) power tool.

1.WORK AREA SAFETY

- > Keep work area clean and well lit. Cluttered or dark areas invite accidents.
- > Do not operate power tools in explosive atmospheres, such as in the presence of flammable liquids, gases or dust. Power tools create sparks which may ignite the dust or fumes.
- > Keep children and bystanders away while operating a power tool. Distractions can cause you to lose control.

2.ELECTRICAL SAFETY

- > Power tool plugs must match the outlet. Never modify the plug in any way. Do not use any adapter plugs with earthed (grounded) power tools. Unmodified plugs and matching outlets will reduce risk of electric shock.
- > Avoid body contact with earthed or grounded surfaces such as pipes, radiators, ranges and refrigerators. There is an increased risk of electric shock if your body is earthed or grounded.
- > Do not expose power tools to rain or wet conditions. Water entering a power tool will increase the risk of electric shock.
- > Do not abuse the cord. Never use the cord for carrying, pulling or unplugging the power tool. Keep cord away from heat, oil, sharp edges or moving parts. Damaged or entangled cords increase the risk of electric shock.
- > When operating a power tool outdoors, use an extension cord suitable for outdoor use. Use of a cord suitable for outdoor use reduces the risk of electric shock.
- > If operating a power tool in a damp location is unavoidable, use an earth leakage circuit breaker. Use of an earth leakage circuit breaker reduces the risk of electric shock.

3.PERSONAL SAFETY

- > Stay alert, watch what you are doing and use common sense when operating a power tool. Do not use a power tool while you are tired or under the influence of drugs, alcohol or medication. A moment of inattention while operating power tools may result in serious personal injury.

- > Use personal protective equipment. Always wear eye protection. Protective equipment such as dust mask, non-skid safety shoes, hard hat, or hearing protection used for appropriate conditions will reduce personal injuries.
- > Prevent unintentional starting. Ensure the switch is in the off-position before connecting to power source and/or battery pack, picking up or carrying the tool. Carrying power tools with your finger on the switch or energising power tools that have the switch on invites accidents.
- > Remove any adjusting key or wrench before turning the power tool on. A wrench or a key left attached to a rotating part of the power tool may result in personal injury.
- > Do not overreach. Keep proper footing and balance at all times. This enables better control of the power tool in unexpected situations.
- > Dress properly. Do not wear loose clothing or jewelry. Keep your hair, clothing and gloves away from moving parts. Loose clothes, jewelry or long hair can be caught in moving parts.
- > If devices are provided for the connection of dust extraction and collection facilities, ensure these are connected and properly used. Use of dust collection can reduce dust-related hazards.

4. POWER TOOL USE AND CARE

- > Do not force the power tool. Use the correct power tool for your application. The correct power tool will do the job better and safer at the rate for which it was designed.
- > Do not use the power tool if the switch does not turn it on and off. Any power tool that cannot be controlled with the switch is dangerous and must be repaired.
- > Disconnect the plug from the power source and/or the battery pack from the power tool before making any adjustments, changing accessories, or storing power tools. Such preventive safety measures reduce the risk of starting the power tool accidentally.
- > Store idle power tools out of the reach of children and do not allow persons unfamiliar with the power tool or these instructions to operate the power tool. Power tools are dangerous in the hands of untrained users.
- > Maintain power tools. Check for misalignment or binding of moving parts, breakage of parts and any other condition that may affect the power tool's operation. If damaged, have the power tool repaired before use. Many accidents are caused by poorly maintained power tools.
- > Keep cutting tools sharp and clean. Properly maintained cutting tools with sharp cutting edges are less likely to bind and are easier to control.
- > Use the power tool, accessories and tool bits etc., in accordance with these instructions, taking into account the working conditions and the work to be performed. Use of the power tool for operations different from those intended could result in a hazardous situation.

5.SERVICE

> Have your power tool serviced by a qualified repair person using only identical replacement parts. This will ensure that the safety of the power tool is maintained.

SAVE THESE INSTRUCTIONS: This manual contains important safety and operating instructions for compatible battery chargers (refer to Technical Data). Before using charger, read all instructions and cautionary markings on charger, battery pack, and product using battery pack.



WARNING: Shock hazard. Do not allow any liquid to get inside charger. Electric shock may result.

WARNING: We recommend the use of a residual current device with a residual current rating of 30mA or less.

CAUTION :Burn hazard. To reduce the risk of injury, charge only rechargeable batteries. Other types of batteries may burst causing personal injury and damage.

CAUTION: Children should be supervised to ensure that they do not play with the appliance.

NOTICE: Under certain conditions, with the charger plugged into the power supply, the exposed charging contacts inside the charger can be shorted by foreign material. Foreign materials of a conductive nature such as, but not limited to, steel wool, aluminum foil or any buildup of metallic particles should be kept away from charger cavities. Always unplug the charger from the power supply when there is no battery pack in the cavity. Unplug charger before attempting to clean .

DO NOT attempt to charge the battery pack with any chargers other than the ones in this manual. The charger and battery pack are specifically designed to work together

These chargers are not intended for any uses other than charging rechargeable batteries. Any other uses may result in risk of fire, electric shock or electrocution.

Do not expose charger to rain or snow.

Pull by plug rather than cord when disconnecting charger. This will reduce risk of damage to electric plug and cord.

Make sure that cord is located so that it will not be stepped on, tripped over, or otherwise subjected to damage or stress.

Do not use an extension cord unless it is absolutely necessary. Use of improper extension cord could result in risk of fire, electric shock, or electrocution.

Do not place any object on top of charger or place the charger on a soft surface that might block the ventilation slots and result in excessive internal heat. Place the charger in a position away from any heat source. The charger is ventilated through slots in the top and the bottom of the housing.

Do not operate charger with damaged cord or plug—have them replaced immediately.

Do not operate charger if it has received a sharp blow, been dropped, or otherwise damaged in any way. Take it to an authorised service centre.

Do not disassemble charger; take it to an authorised service centre when service or repair is required. Incorrect reassembly may result in a risk of electric shock, electrocution or fire.

In case of damaged power supply cord the supply cord must be replaced immediately by the manufacturer, its service agent or similar qualified person to prevent any hazard.

Disconnect the charger from the outlet before attempting any cleaning. This will reduce the risk of electric shock. Removing the battery pack will not reduce this risk.

NEVER attempt to connect two chargers together.

> The charger is designed to operate on standard 230V household electrical power.

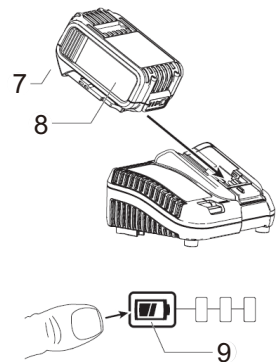
Do not attempt to use it on any other voltage. This does not apply to the vehicular charger.

Charging a Battery

> Plug the charger into an appropriate outlet before inserting battery pack

> Insert the battery pack 8 into the charger, making sure the battery pack is fully seated in the charger. The green (charging) light will blink repeatedly indicating that the charging process has started.

> The completion of charge will be indicated by the green light remaining ON continuously. The battery pack is fully charged and may be used at this time or left in the charger. To remove the battery pack from the charger, push the battery release button 7 on the battery pack.



NOTE: To ensure maximum performance and life of lithium-ion battery packs, charge the battery pack fully before first use.

Charge Indicators



> The green light will continue to blink, but a red indicator light will be lighting-off during this operation. Once the battery pack has reached an appropriate temperature, the red light will turn on and blink slowly. The charger will resume the charging procedure after the red light is turned off.

The compatible charger(s) will not charge a faulty battery pack. The charger will indicate faulty battery by illuminating the red light and blinking quickly.

NOTE: This could also mean a problem with a charger.

If the charger indicates a problem, take the charger and battery pack to be tested at an authorised service centre.

ASSEMBLY

Mounting sanding plate/ saw blade/ spatula

Take care with sharp tools such as spatulas, saw blades or cutting blades

1.1 Loosen the quick release clamp (6) by pulling the quick-release lever (1) completely open.

1.2 Spin the quick release lever anti-clock wise until the clamping plate is loose.

1.3 Put the quick-install saw blade, sanding plate or spatula toward the output spindle which is situated between the cover clamp (8) and quick release clamp (6). Push the accessory in and place it firmly onto the locating pins (7). Pay attention that the clamping plate is placed well into the holder of the machine, otherwise you cannot spin the quick release lever.

1.4 Fasten using the quick-release lever (1), spin it in a clockwise direction to fasten the clamping plate and accessory.

1.5 Check if the quick release lever is tightened enough.

1.6 Pull the quick release lever down and spin it until it is right above the holder.

1.7 Push the quick release lever into the holder.

1.8 Remove the accessory in the opposite way.



WARNING: This tool is equipped with quick-install accessories during operating; do not use any unmatched accessories.

Mounting/changing the sand paper

With fast hook and quick release system.

2.1 Position the sand paper and press by hand.

2.2 Press on the sand paper by giving it a short, firm push against the flat surface of sanding plate and switch on the power tool.

– This ensures good adhesion and prevents premature wear.

2.3 If the point has become worn, pull off the sand paper, turn it through 120° and place it on again, or change the sanding paper.

Mounting dust extraction

Take the dust adaptor and screw it on the bottom part of the machine. Keep in mind that the screw has to be on the bottom part of the dust adaptor, this way you can screw it nice and gently in the screw hole. After this piece is mounted on the machine, you can attach the dust pipe on the dust adaptor. Give the pipe a firm push. You can always adjust the direction of the pipe by moving it a bit in the desired direction.

OPERATION

Assemble & Release Battery Pack

1.1 Assemble the fully charged battery pack as Fig.1.

1.2 Push down button 7 and then pull out the battery pack from the main body of the machine.

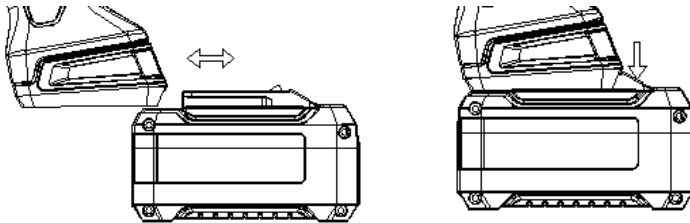


Fig. 1

Switching ON/OFF (Fig. 2)

2.1 Push and slide battery pack into battery port, make sure the release latch on the rear side of the battery snaps into place and battery is secure before beginning operation.

2.2 Switching the power tool ON: slide ON/OFF switch button (2) forward onto position (I).

2.3 Switching the power tool OFF: slide ON/OFF switch button backward onto position (O).

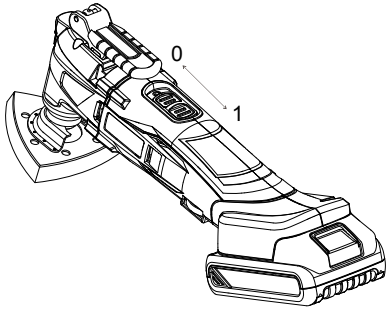


Fig.2

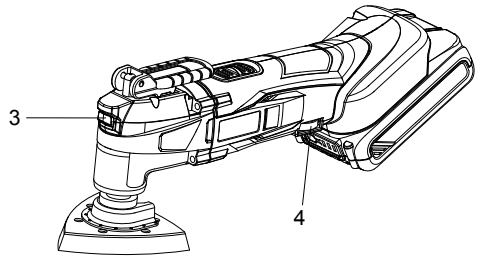


Fig.3

Speed adjusting (Fig. 3)

The tool can be set at 6-speed adjustment positions. The "1" position indicates the lowest and the "6" position indicates the highest speed, you can adjust different speed by turning the speed dial (4) from "1" to "6" position. The operator may have to vary the speed to optimize working efficiency.

Sawing



Use undamaged faultless saw blades only. Deformed, blunt saw blades or saw blades that are otherwise damaged can break.



Plunge cuts may only be applied to soft materials, such as wood, gypsum plaster boards, etc.!

Before sawing with saw blades in wood, particle board, building materials, etc., check these for foreign objects such as nails, screws, or similar. If required, remove foreign objects or use saw blades for metal.

Sanding

The removal rate and the sanding pattern are primarily determined by the choice of sanding sheet, the pre-set oscillation rate and the applied pressure.

Only flawless sanding sheets achieve good sanding capacity and extend the service life of the machine.

Pay attention to apply uniform sanding pressure; this increases the working life of the sanding sheets.

Intensifying the sanding pressure does not lead to an increase of the sanding capacity, but to increased wear of the machine and the sanding sheet.

For precise on-the-spot sanding of edges, corners and hard to reach areas, it is also possible to work with the finger sanding pad.

When selectively sanding on the spot, the sanding sheet can heat up considerably.

Reduce the orbital stroke rate and allow the sanding sheet to cool down regularly.

A sanding sheet that has been used for metal should not be used for other materials.

Scraping

For scraping, select a high oscillation rate.

Work on a soft surface (e.g. wood) at a flat angle and apply only light pressure.

Otherwise the scraper can cut into the surface.

MAINTENANCE / SERVICE

- Keep the ventilation slots of the machine clean to prevent overheating of the engine.
- Regularly clean the machine housing with a soft cloth, preferably after each use.
- Keep the ventilation slots free from dust and dirt.
- If the dirt does not come off use a soft cloth moistened with soapy water.
- Never use solvents such as petrol, alcohol, ammonia water, etc. These solvents may damage the plastic parts.

ENVIRONMENT

Should your appliance need replacement after extended use, do not dispose of it with the household refuse, but in an environmentally safe way.

Waste produced by electrical machine items should not be handled like normal household rubbish. Please recycle where recycle facilities exist. Check with your Local Authority or retailer for recycling advice.

On the product, the rating label and within these instructions you will find among others the following symbols and abbreviations. Familiarize yourself with them to reduce hazards like personal injuries and damage to property.

V~	Volt, (alternating voltage)	mm	Millimetre
Hz	Hertz	kg	Kilogram
W	Watt	dB(A)	Decibel (A-rated)
/min or min ⁻¹	Per minute	m/s ²	Metres per seconds squared



Lock / to tighten or secure.



Unlock / to loosen.



Note / Remark.



Caution / Warning.



Read the instruction manual.



Wear hearing protection.



Wear eye protection.



Wear a dust mask.



Wear protective gloves.



Wear protective, slip-resistant footwear.



Switch the product off and disconnect it from the power supply before assembly, cleaning, adjustments, maintenance, storage and transportation.



The product complies with the applicable European directives and an evaluation method of conformity for these directives was done.



WEEE symbol. Waste electrical products should not be disposed of with household waste. Please recycle where facilities exist. Check with your Local Authority or local store for recycling advice.

